

6

5

4

3

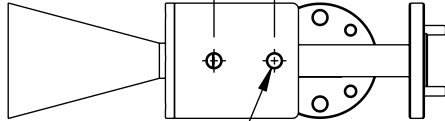
2

1

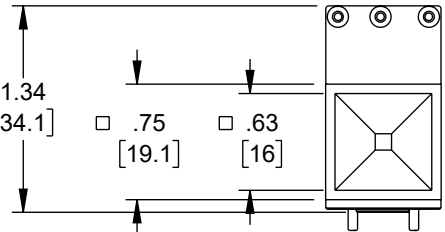
REVISION

ZONE	REV	DESCRIPTION	DATE	CHANGED BY	APPROVED
	A	INITIAL RELEASE	05/03/2023	KGLEBOVA	KHIETPAS

.394
[10]



2X 4-40 UNC-2B THRU

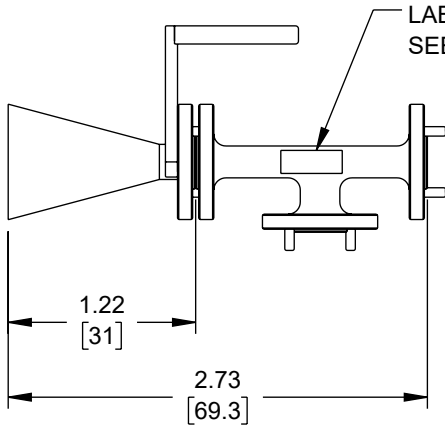


1.34
[34.1]

.75
[19.1]

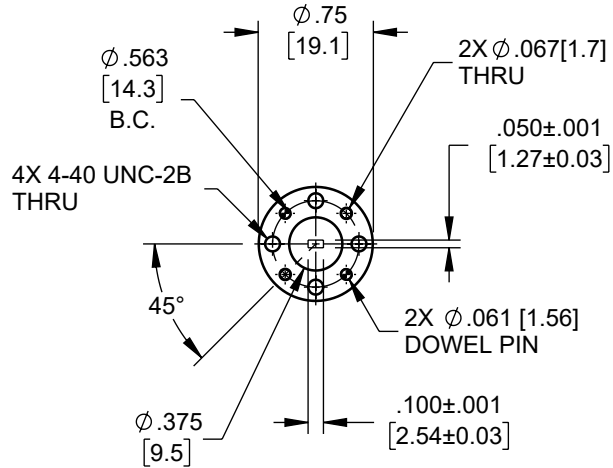
.63
[16]

LABEL
SEE NOTE 1



1.22
[31]

2.73
[69.3]



Ø .75
[19.1]

Ø .563
[14.3]

B.C.

2X Ø .067 [1.7]
THRU

.050 ± .001
[1.27 ± 0.03]

4X 4-40 UNC-2B
THRU

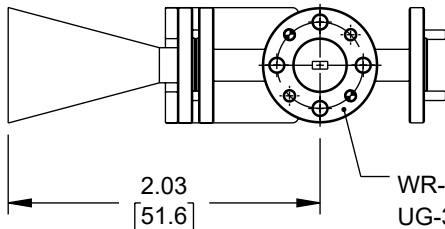
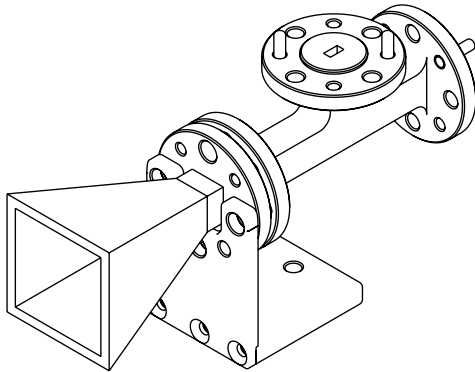
45°

2X Ø .061 [1.56]
DOWEL PIN

Ø .375
[9.5]

.100 ± .001
[2.54 ± 0.03]

FLANGE DETAILS
2 PLACES



2.03
[51.6]

WR-12 WAVEGUIDE
UG-387/U ROUND FLANGE
TYP

NOTES:

- LABEL FOR REFERENCE ONLY.
LABEL LOCATION FOR REFERENCE ONLY.

UNLESS OTHERWISE SPECIFIED
LEADING DIMENSIONS ARE INCHES
DIMENSIONS IN [] ARE MILLIMETERS

TOLERANCES:

.X = ±.2 [5]	FRACTIONS
.XX = ±.02 [.5]	± 1/32
.XXX = ±.005 [.13]	ANGLES ± 1°

CABLE LENGTH TOLERANCES:

≤ 12 [305]	= +1 [25] / -0
> 12 [305] ≤ 60 [1524]	= +2 [51] / -0
> 60 [1524] ≤ 120 [3048]	= +4 [102] / -0
> 120 [3048] ≤ 300 [7620]	= +6 [152] / -0
> 300 [7620]	= +5% / -0

ALL DIMENSIONS ARE FOR REFERENCE ONLY
AND SUBJECT TO CHANGE WITHOUT NOTICE.



Website: www.Pasternack.com
Phone: 1.866.727.8376 | 1.949.261.1920



INTERPRET ALL DIMENSIONS AND
TOLERANCES PER ASME Y14.5

SCALE

NONE

SHEET

1 OF 1

DESCRIPTION

BROADBAND HORN ANTENNA, DUAL POLARIZED 93 GHz TO
95 GHz 20 dBi GAIN, WR-12 WAVEGUIDE INPUT

SIZE

A

CAGE CODE

53919

DRAWN BY

KGLEBOVA

ITEM NO.

FMWAN1174

REV

A

6

5

4

3

2

1