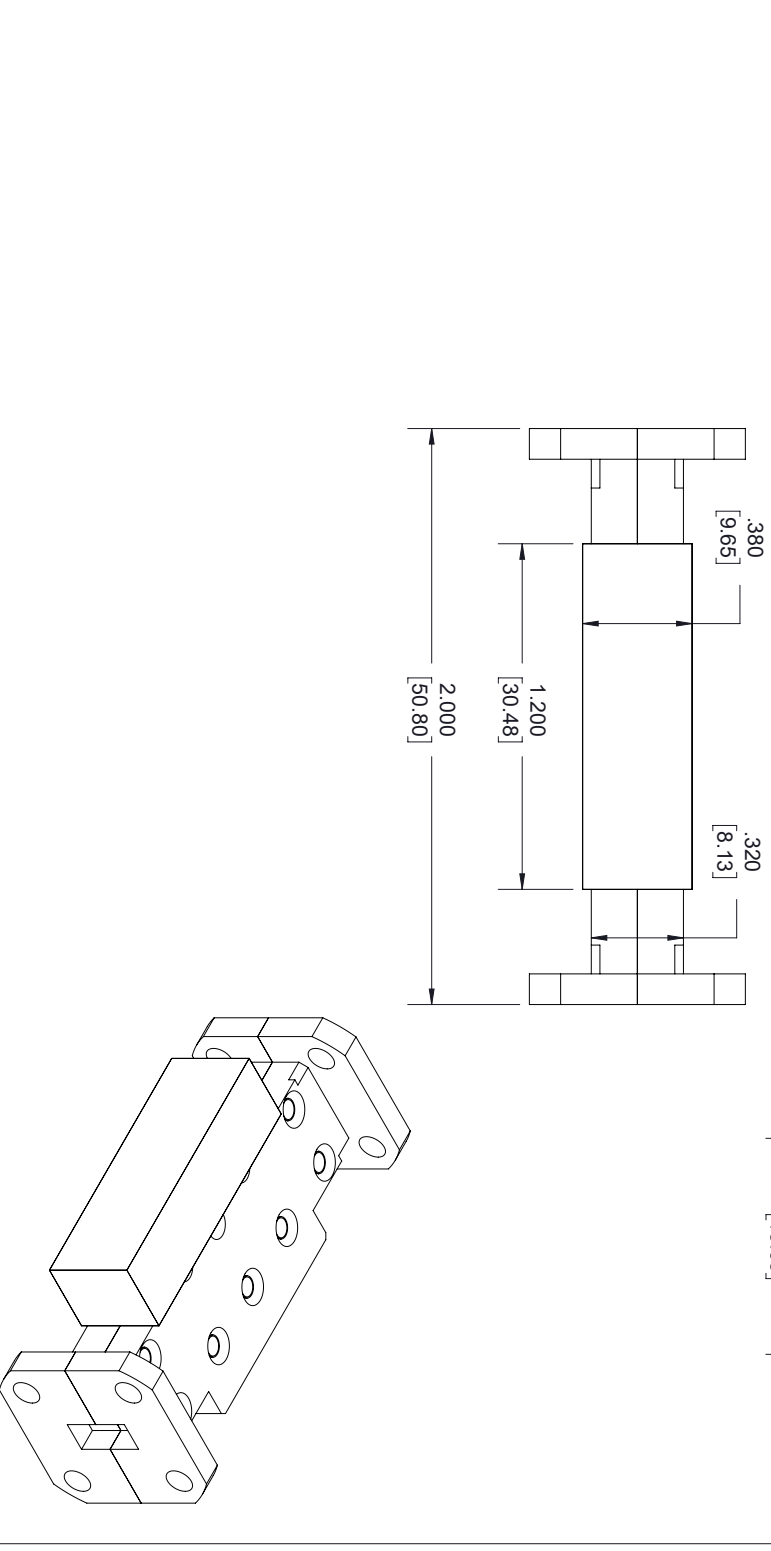
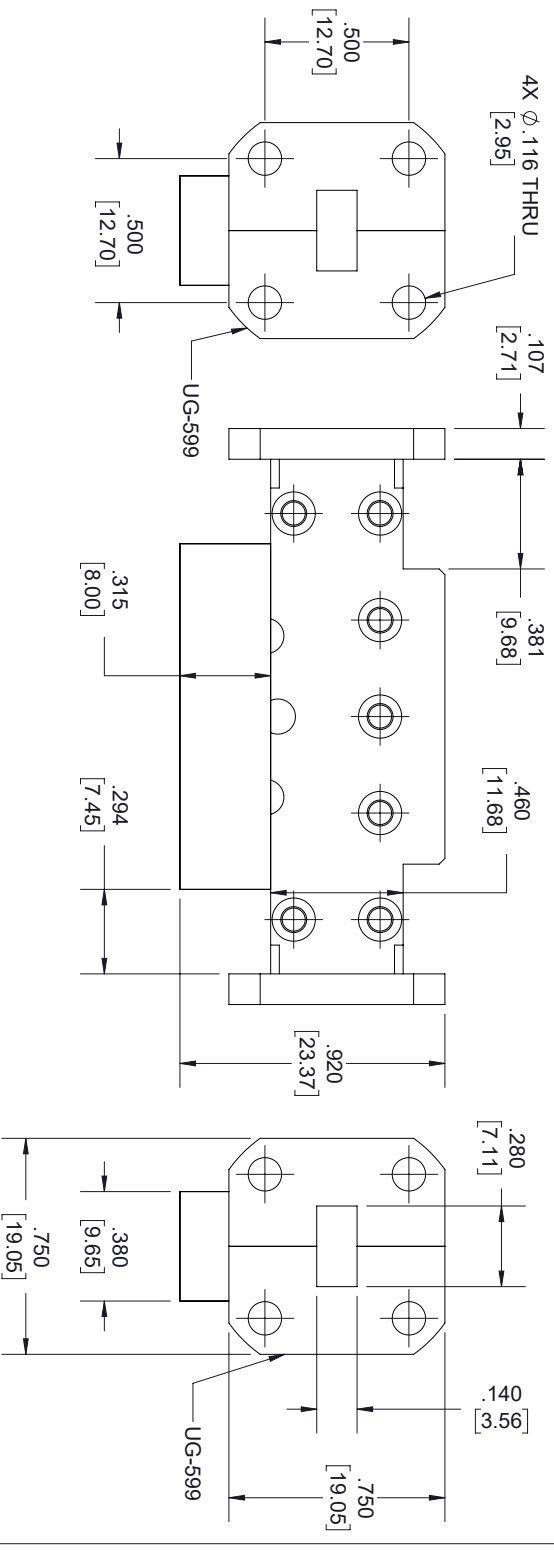


REVISIONS			
REV.	DESCRIPTION	DATE	APPROVED
A	INITIAL RELEASE	05-04-2021	SPONG



THESE COMMODITIES, TECHNOLOGY OR SOFTWARE WERE EXPORTED FROM THE UNITED STATES IN ACCORDANCE WITH THE EXPORT ADMINISTRATION REGULATIONS, DIVERSION CONTRARY TO U.S. LAW PROHIBITED.



UNLESS OTHERWISE SPECIFIED LEADING DIMENSIONS ARE INCHES  
DIMENSIONS IN [ ] ARE MILLIMETERS

CABLE LENGTH (L) TOLERANCES:



THIRD-ANGLE PROJECTION

TOLERANCES:  
FRACTIONS  
X = ±.2 [5.08]  
XX = ±.02 [.51]  
XXX = ±.005 [.13]  
ANGLES ± 1°

L ± 1/2 (805) = +1 [25] / -0  
12 (305) < L ≤ 60 [1524] = +2 [51] / -0  
60 [1524] < L ≤ 120 [3048] = +4 [102] / -0  
120 [3048] < L ≤ 300 [7620] = +6 [152] / -0  
300 [7620] < L = +5% / -0

THE INFORMATION AND DESIGN IN THIS DOCUMENT IS THE PROPERTY OF FAIRVIEW MICROWAVE CORPORATION. ALL RIGHTS RESERVED.  
SHEET 1 OF 1

ALL DIMENSIONS SHOWN ARE FOR REFERENCE ONLY.

SCALE N/A

TITLE	SIZE	GAGE CODE	DRAWN BY	ITEM NO.	REV
	A	3FKRS	MVEERAPPAN	FMWAT1007-XX	A