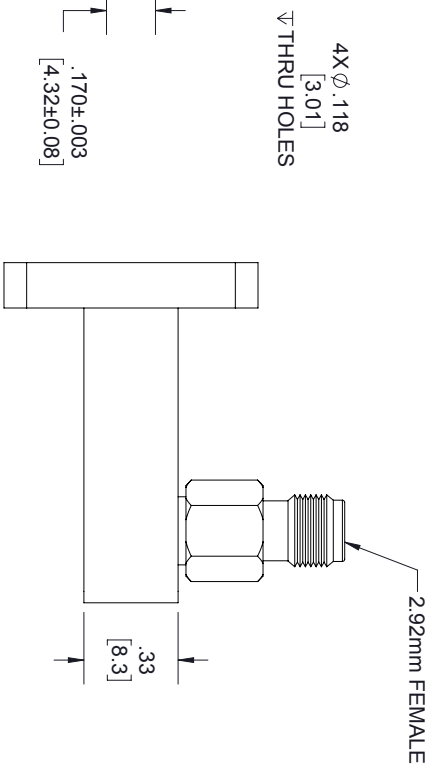
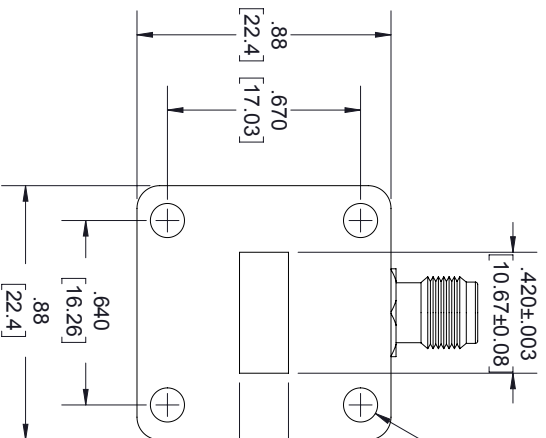
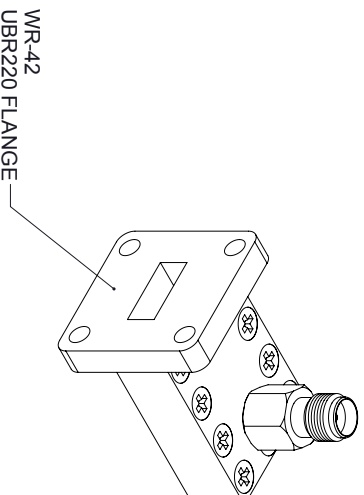
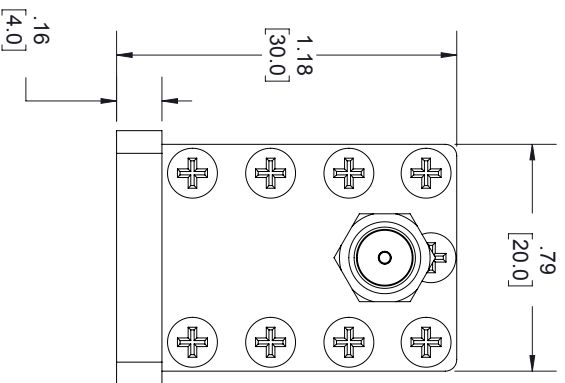


REVISIONS			
REV.	DESCRIPTION	DATE	APPROVED
A	INITIAL RELEASE	05/11/2020	SPONG



FAIRVIEW MICROWAVE
FMWCA1101
D/C: YYYYWW

LABEL:

THESE COMMODITIES, TECHNOLOGY OR SOFTWARE WERE EXPORTED FROM THE UNITED STATES IN ACCORDANCE WITH THE EXPORT ADMINISTRATION REGULATIONS, DIVERSION CONTRARY TO U.S. LAW PROHIBITED.



TITLE

UNLESS OTHERWISE SPECIFIED LEADING DIMENSIONS ARE INCHES DIMENSIONS IN [] ARE MILLIMETERS				THIRD-ANGLE PROJECTION	
TOLERANCES:				THE INFORMATION AND DESIGN IN THIS DOCUMENT IS THE PROPERTY OF FAIRVIEW MICROWAVE CORPORATION. ALL RIGHTS RESERVED.	
CABLE LENGTH (L) TOLERANCES:		L ≤ 12 (305) = +1 (25) / -0		SHEET 1 OF 1	
FRACTIONS		± 1/32		SCALE N/A	
X = ±.2 [5.08]		12 (305) < L ≤ 60 (1524) = +2 (51) / -0		REV A	
XX = ±.02 [.51]		60 (1524) < L ≤ 120 (3048) = +4 (102) / -0		DRAWN BY BPUCHASKI	
XXX = ±.005 [.13]		120 (3048) < L ≤ 300 (7620) = +6 (152) / -0		ITEM NO. FMWCA1101	
ANGLES ± 1°		300 (7620) < L = +5%L / -0		GAGE CODE 3FKRS	
ALL DIMENSIONS SHOWN ARE FOR REFERENCE ONLY.					
SIZE A	SIZE A	SIZE A	SIZE A	SIZE A	SIZE A