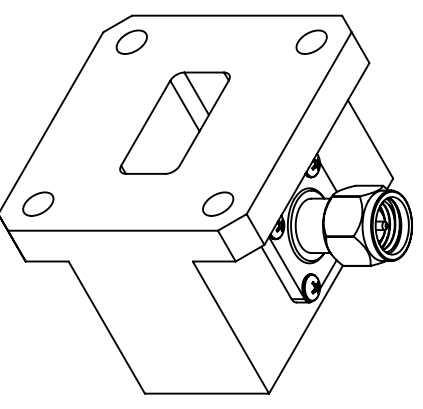
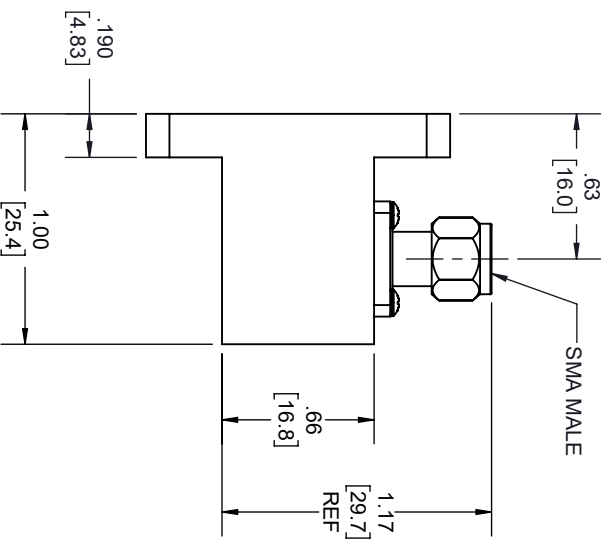
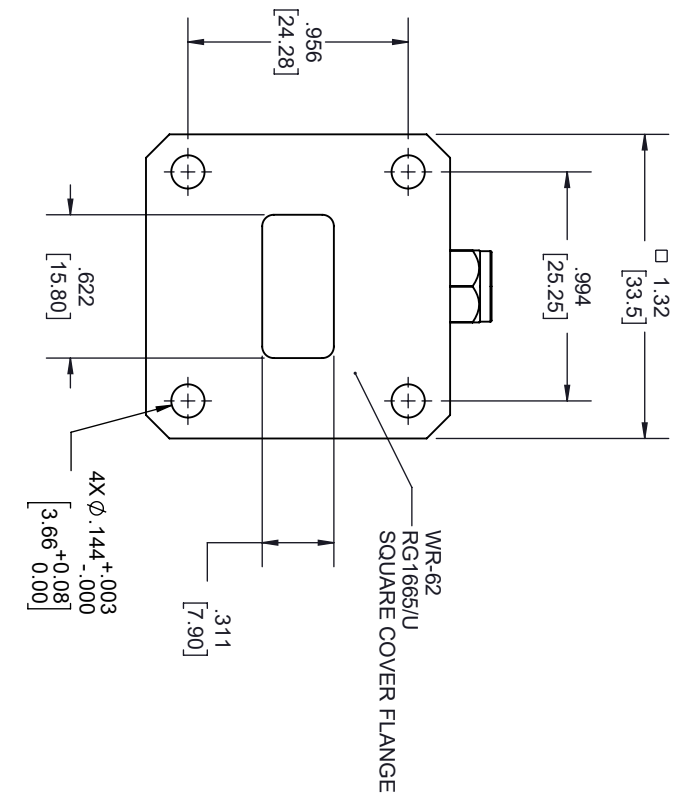


REVISIONS			
REV.	DESCRIPTION	DATE	APPROVED
A	INITIAL RELEASE	3/14/2022	S. PONG



THESE COMMODITIES, TECHNOLOGY OR SOFTWARE WERE EXPORTED FROM THE UNITED STATES IN ACCORDANCE WITH THE EXPORT ADMINISTRATION REGULATIONS, DIVERSION CONTRARY TO U.S. LAW PROHIBITED.



TITLE

UNLESS OTHERWISE SPECIFIED LEADING DIMENSIONS ARE INCHES				THIRD-ANGLE PROJECTION			
DIMENSIONS IN [] ARE MILLIMETERS							
TOLERANCES:				CABLE LENGTH (L) TOLERANCES:			
X = ±.2	[.008]	FRACTIONS	L ≤ 12 [305] = +1 [25] / -0	THE INFORMATION AND DESIGN IN THIS DOCUMENT IS THE PROPERTY OF FAIRVIEW MICROWAVE CORPORATION. ALL RIGHTS RESERVED.			
XX = ±.02	[.51]	± 1/32	12 [305] < L ≤ 60 [1524] = +2 [51] / -0	SHEET 1 OF 1			
XXX = ±.005	[.13]	ANGLES ± 1°	60 [1524] < L ≤ 120 [3048] = +4 [102] / -0	SCALE N/A			
			120 [3048] < L ≤ 300 [7620] = +6 [152] / -0	REV A			
			300 [7620] < L = +5%L / -0	ITEM NO. FMWCA9809			
ALL DIMENSIONS SHOWN ARE FOR REFERENCE ONLY.				DRAWN BY K.DANG			
SIZE A	GAGE CODE 3FKRS			REV A			