

6

5

4

3

2

1

REVISION

ZONE	REV	DESCRIPTION	DATE	CHANGED BY	APPROVED
	A	INITIAL RELEASE	06/23/2023	LNAGARAJ	SPONG

F

E

D

C

B

A

F

E

D

C

B

A

2.92MM FEMALE

UG COVER FLANGE FBP-260

4X  $\phi .114^{+.003}_{+.002}$  [ $2.900^{+0.085}_{+0.060}$ ]

.170 $\pm$ .001  
[4.318 $\pm$ 0.020]

.340 $\pm$ .001  
[8.636 $\pm$ 0.020]

4X R.079 [2.00]

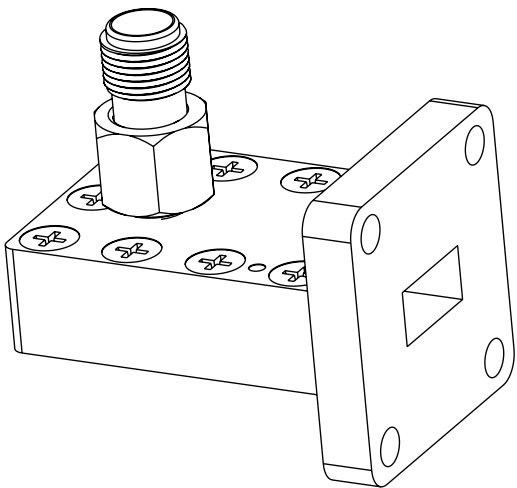
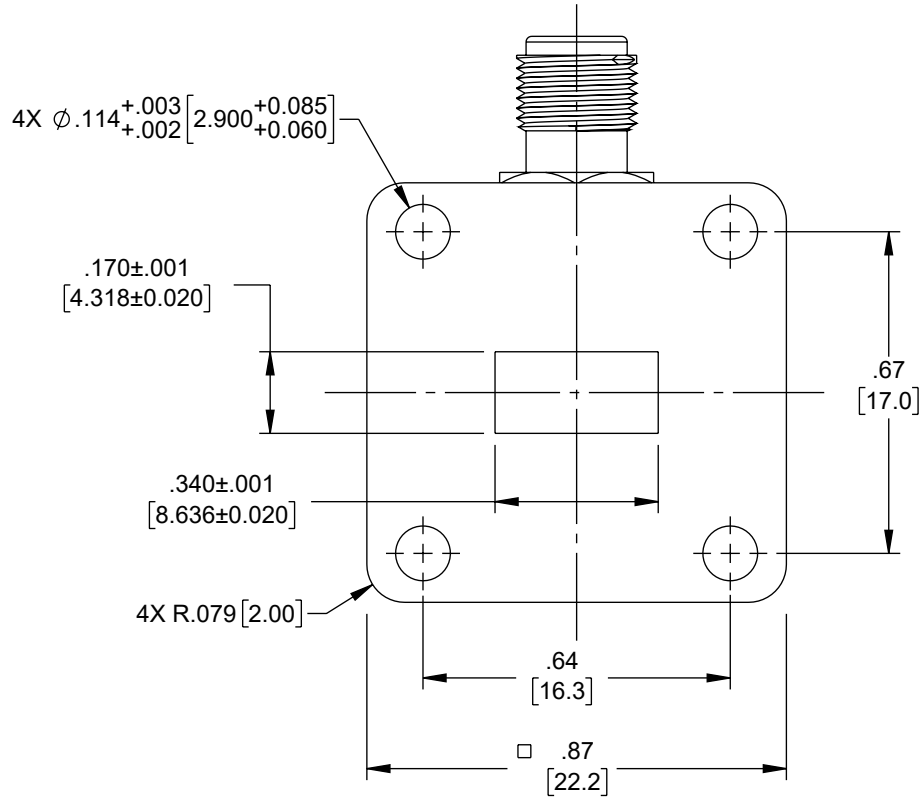
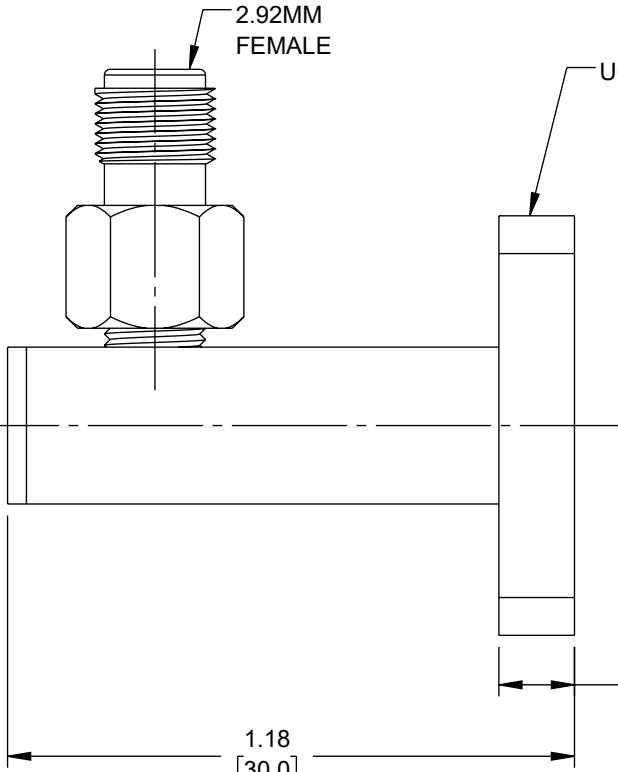
.67  
[17.0]

.64  
[16.3]

.87  
[22.2]

.157  
[4.00] THK.

1.18  
[30.0]



THE INFORMATION CONTAINED IN THIS DRAWING IS THE SOLE PROPERTY OF INFINITE ELECTRONICS, INC. ANY REPRODUCTION IN PART OR WHOLE WITHOUT THE WRITTEN PERMISSION OF INFINITE ELECTRONICS, INC. IS PROHIBITED. THESE COMMODITIES, TECHNOLOGY OR SOFTWARE WERE EXPORTED FROM THE UNITED STATES IN ACCORDANCE WITH THE EXPORT ADMINISTRATION REGULATIONS. DIVERSION CONTRARY TO U.S. LAW PROHIBITED.

UNLESS OTHERWISE SPECIFIED LEADING DIMENSIONS ARE INCHES DIMENSIONS IN [ ] ARE MILLIMETERS

TOLERANCES:  
.X =  $\pm .2$  [5]      FRACTIONS  $\pm 1/32$   
.XX =  $\pm .02$  [.5]      ANGLE  $\pm 1^\circ$   
.XXX =  $\pm .005$  [.13]

CABLE LENGTH TOLERANCES:  
 $\leq 12$  [305] =  $\pm 1$  [25] / -0  
 $> 12$  [305]  $\leq 60$  [1524] =  $\pm 2$  [51] / -0  
 $> 60$  [1524]  $\leq 120$  [3048] =  $\pm 4$  [102] / -0  
 $> 120$  [3048]  $\leq 300$  [7620] =  $\pm 6$  [152] / -0  
 $> 300$  [7620] =  $\pm 5\%$  / -0

ALL DIMENSIONS ARE FOR REFERENCE ONLY AND SUBJECT TO CHANGE WITHOUT NOTICE.



Website: [www.FairviewMicrowave.com](http://www.FairviewMicrowave.com)  
Phone: 1.800.715.4396 | 1.972.649.6678

SCALE	SHEET
NONE	1 OF 1

DESCRIPTION  
WR-34 WAVEGUIDE CALIBRATION KIT(WAVEGUIDE TO COAX ADAPTER WITH 2.92MM FEMALE CONNECTOR)

SIZE	CAGE CODE	DRAWN BY	ITEM NO.	REV
A	3FKR5	LNAGARAJ	FMWCK1004	A

6

5

4

3

2

1