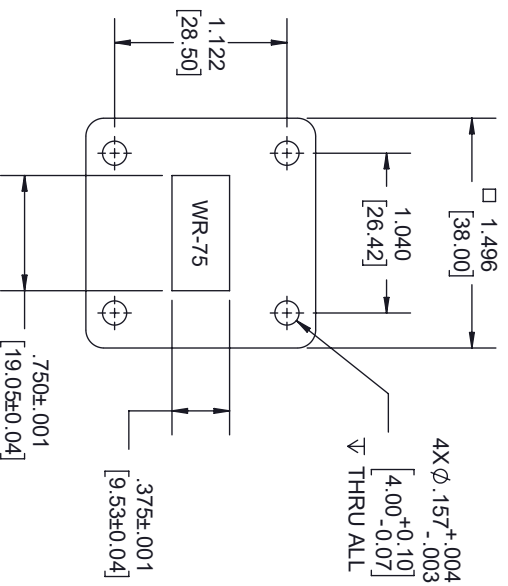
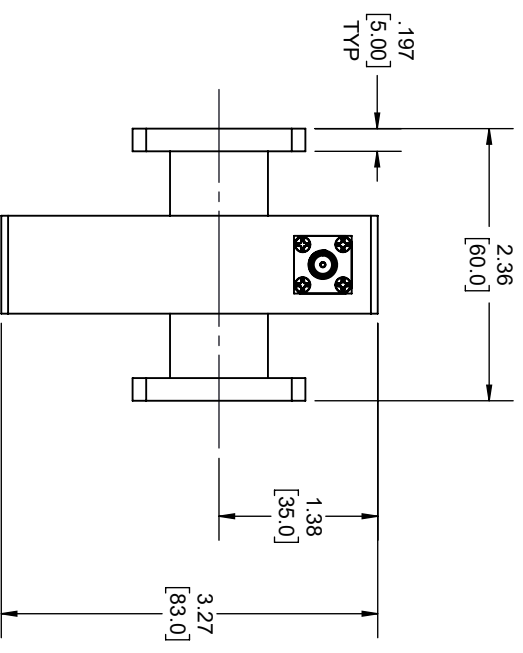
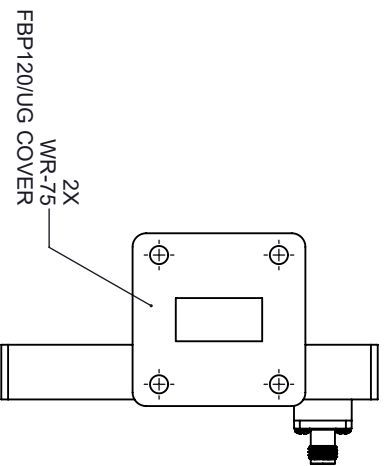
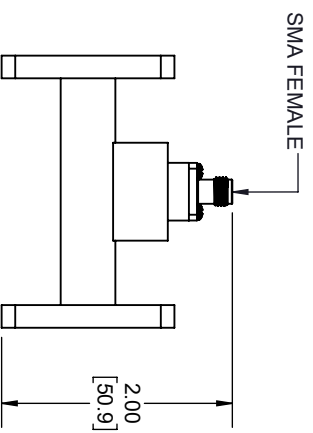
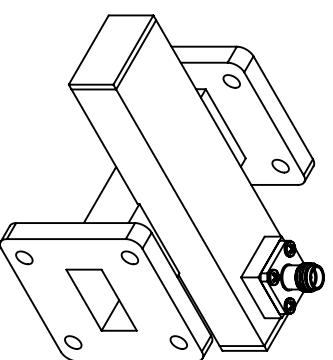


REVISIONS			
REV.	DESCRIPTION	DATE	APPROVED
A	INITIAL RELEASE	7/7/2022	S. PONG



FLANGE DETAIL



THESE COMMODITIES, TECHNOLOGY OR SOFTWARE WERE EXPORTED FROM THE UNITED STATES IN ACCORDANCE WITH THE EXPORT ADMINISTRATION REGULATIONS, DIVERSION CONTRARY TO U.S. LAW PROHIBITED.



TITLE

UNLESS OTHERWISE SPECIFIED LEADING DIMENSIONS ARE INCHES				THIRD-ANGLE PROJECTION			
DIMENSIONS IN [] ARE MILLIMETERS				THE INFORMATION AND DESIGN IN THIS DOCUMENT IS THE PROPERTY OF FAIRVIEW MICROWAVE CORPORATION. ALL RIGHTS RESERVED.			
TOLERANCES:				CABLE LENGTH (L) TOLERANCES:			
X = ±.2	[.008]	FRACTIONS	±.192	L ≤ 12 [305]	±.125 [1.0]		
XX = ±.02	[.51]	±.192		12 [305] < L ≤ 60 [1524]	±.25 [1.0]		
XXX = ±.005	[.13]	ANGLES ± 1°		60 [1524] < L ≤ 120 [3048]	±.4 [1.02]		
				120 [3048] < L ≤ 300 [7620]	±.6 [1.52]		
				300 [7620] < L	±.9% [L]		
SIZE	GAGE CODE	DRAWN BY	ITEM NO.	SCALE	REV		
A	3FKRS	K.DANG	FMMWCP1085S-30	N/A	A		