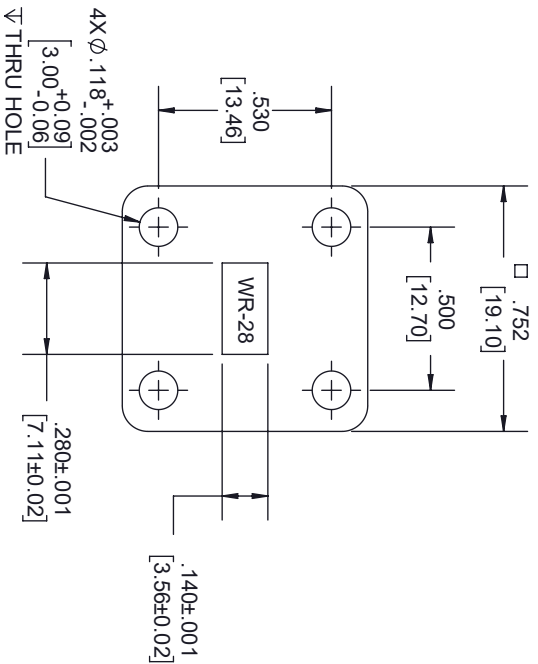
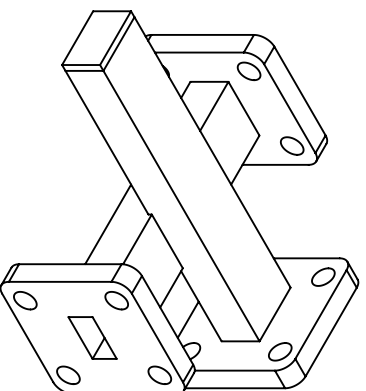
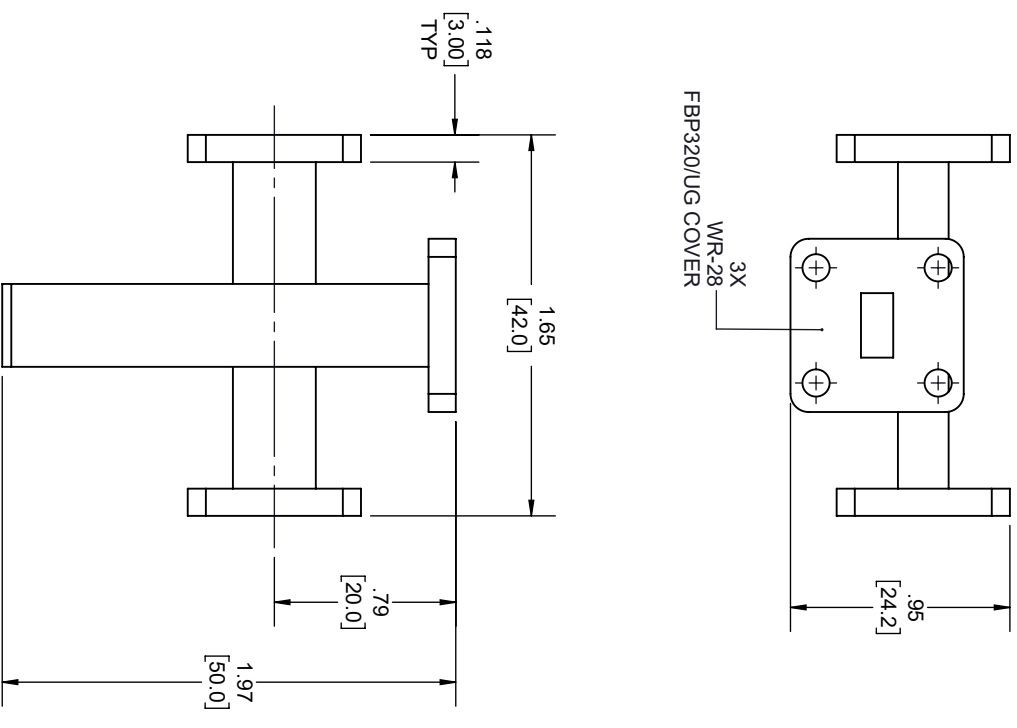
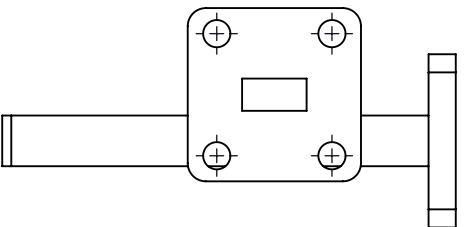


REVISIONS			
REV.	DESCRIPTION	DATE	APPROVED
A	INITIAL RELEASE	7/7/2022	S. PONG



**FLANGE DETAIL**



THESE COMMODITIES, TECHNOLOGY OR SOFTWARE WERE EXPORTED FROM THE UNITED STATES IN ACCORDANCE WITH THE EXPORT ADMINISTRATION REGULATIONS, DIVERSION CONTRARY TO U.S. LAW PROHIBITED.



TITLE

**TOLERANCES:**

UNLESS OTHERWISE SPECIFIED LEADING DIMENSIONS ARE INCHES  
DIMENSIONS IN [ ] ARE MILLIMETERS

**CABLE LENGTH (L) TOLERANCES:**

$X = \pm .2$  [5.08] FRACTIONS  
 $XX = \pm .02$  [.51] ± 1/32  
 $XXX = \pm .005$  [.13] ANGLES ± 1°  
 $L \pm 1/2$  [8065] = +1 [25] / -0  
 $12$  [305] < L ≤ 60 [1524] = +2 [51] / -0  
 $60$  [1524] < L ≤ 120 [3048] = +4 [102] / -0  
 $120$  [3048] < L ≤ 300 [7620] = +6 [152] / -0  
 $300$  [7620] < L = +5% / -0



THE INFORMATION AND DESIGN IN THIS DOCUMENT IS THE PROPERTY OF FAIRVIEW MICROWAVE CORPORATION. ALL RIGHTS RESERVED.

SCALE

N/A

SIZE	GAGE CODE	DRAWN BY	ITEM NO.	REV
A	3FKRS	K.DANG	FMWCP1089-40	A