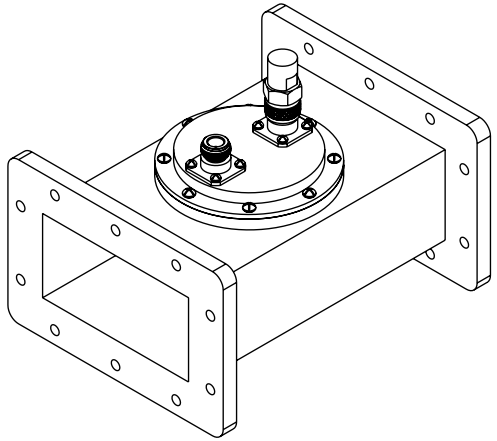
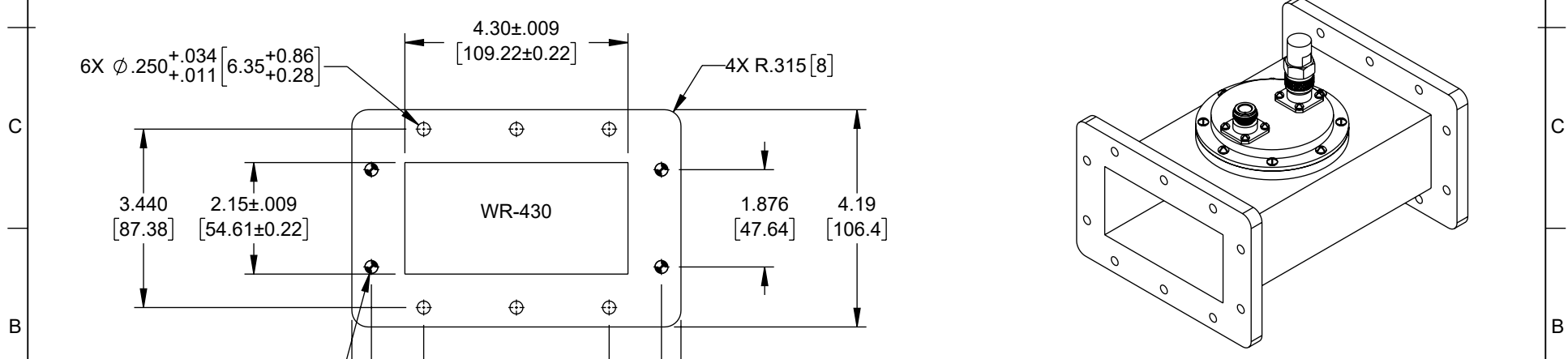
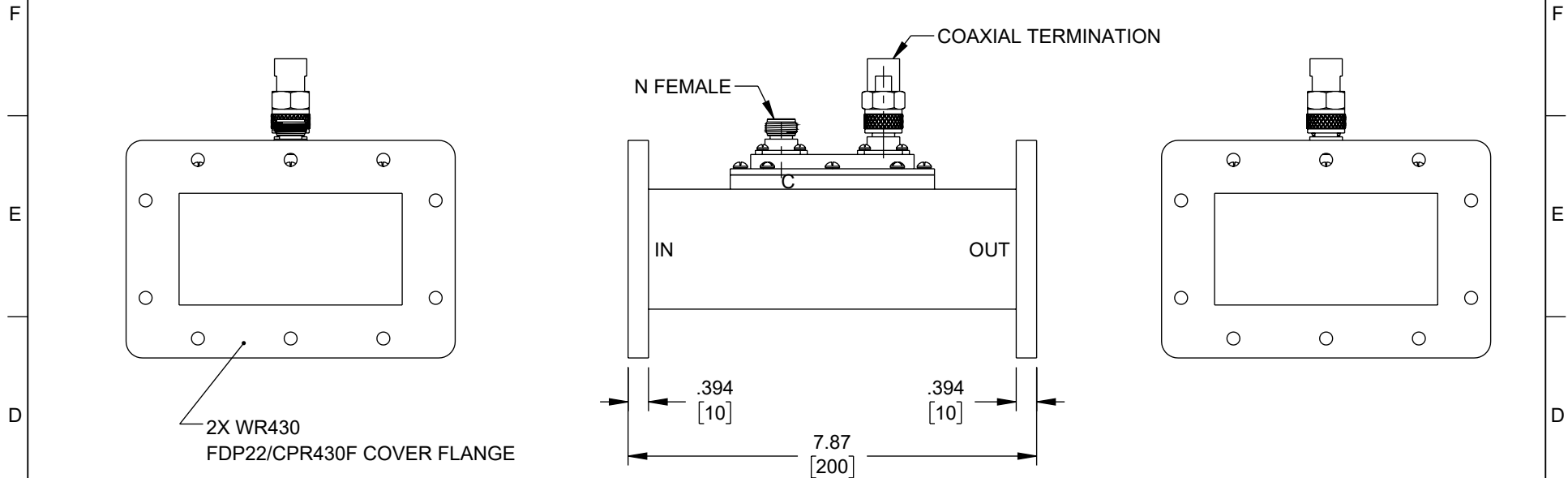


6 5 4 3 2 1

REVISION					
ZONE	REV	DESCRIPTION	DATE	CHANGED BY	APPROVED
	A	INITIAL RELEASE	05/14/2024	KGLEBOVA	SPONG



FLANGE DETAIL

UNLESS OTHERWISE SPECIFIED LEADING DIMENSIONS ARE INCHES DIMENSIONS IN [] ARE MILLIMETERS

TOLERANCES:

X = ± 2 [5]	FRACTIONS ± 1/32
XX = ± 0.02 [0.5]	ANGLES ± 1°
.XXX = ± 0.005 [0.13]	

CABLE LENGTH TOLERANCES:

≤ 12 [305]	= +1 [25] / -0
> 12 [305] ≤ 60 [1524]	= +2 [51] / -0
> 60 [1524] ≤ 120 [3048]	= +4 [102] / -0
> 120 [3048] ≤ 300 [7620]	= +6 [152] / -0
> 300 [7620]	= +5% / -0

ALL DIMENSIONS ARE FOR REFERENCE ONLY AND SUBJECT TO CHANGE WITHOUT NOTICE UN-DIMENSIONED/NON-CRITICAL FEATURES MAY VARY IN SIZE AND LOCATION COLORS MAY VARY

<p>Fairview Microwave an INFINIT® brand</p> <p>Website: www.FairviewMicrowave.com Phone: 1.800.715.4396 1.972.649.6678</p>	<p>INTERPRET ALL DIMENSIONS AND TOLERANCES PER ASME Y14.5</p>			
	SCALE NONE	SHEET 1 OF 1		
DESCRIPTION WR-430 WAVEGUIDE LOOP COUPLER, 40DB WITH N-TYPE CONNECTOR				
SIZE A	CAGE CODE 3FKR5	DRAWN BY KGLEBOVA	ITEM NO. FMWCP1106N-40	REV A

THE INFORMATION CONTAINED IN THIS DRAWING IS THE SOLE PROPERTY OF INFINITE ELECTRONICS, INC. ANY REPRODUCTION IN PART OR WHOLE WITHOUT THE WRITTEN PERMISSION OF INFINITE ELECTRONICS, INC. IS PROHIBITED. THESE COMMODITIES, TECHNOLOGY OR SOFTWARE WERE EXPORTED FROM THE UNITED STATES IN ACCORDANCE WITH THE EXPORT ADMINISTRATION REGULATIONS. DIVERSION CONTRARY TO U.S. LAW PROHIBITED.

FM DS Rev-D4 Asize 6 5 4 3 2 1