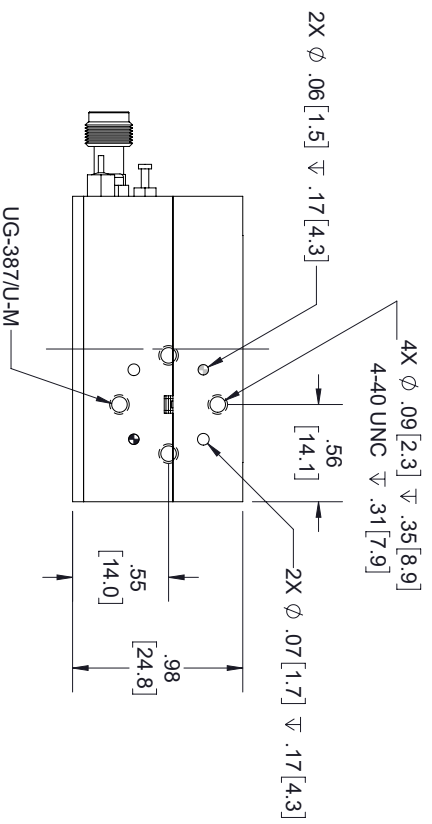
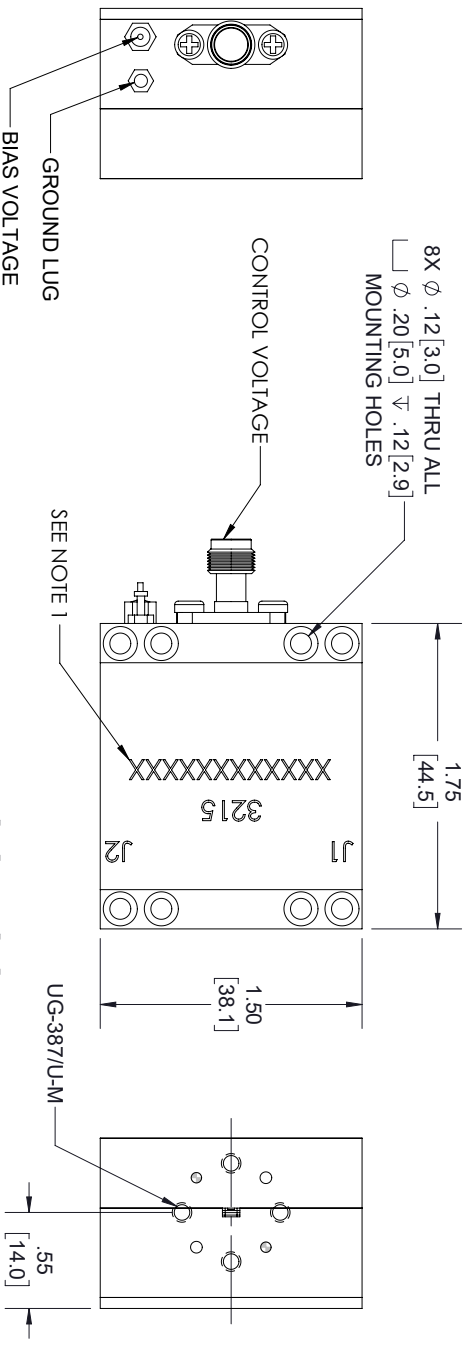
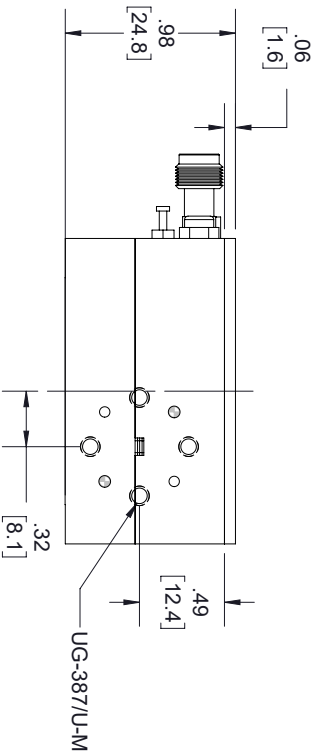
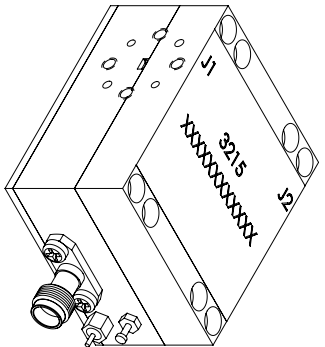


REVISIONS			
REV.	DESCRIPTION	DATE	APPROVED
A	INITIAL RELEASE	04/18/2022	TGALLA



NOTES:

- SERIAL NUMBER AND DATE CODE ARE COMBINED. EX: 202008280001.

THESE COMMODITIES, TECHNOLOGY OR SOFTWARE WERE EXPORTED FROM THE UNITED STATES IN ACCORDANCE WITH THE EXPORT ADMINISTRATION REGULATIONS, DIVERSION CONTRARY TO U.S. LAW PROHIBITED.



TITLE

UNLESS OTHERWISE SPECIFIED LEADING DIMENSIONS ARE INCHES DIMENSIONS IN [] ARE MILLIMETERS			
TOLERANCES:		CABLE LENGTH (L) TOLERANCES:	
X = ±.2 [5.08]	FRACTIONS ±.1/32	L ≤ 12 [305]	±.1 [25] /-.0
XX = ±.02 [51]	±.1/32	12 [305] < L ≤ 60 [1524]	±.2 [51] /-.0
XXX = ±.005 [13]	ANGLES ± 1°	60 [1524] < L ≤ 120 [3048]	±.4 [102] /-.0
		120 [3048] < L ≤ 300 [7620]	±.6 [152] /-.0
		300 [7620] < L	±.5%L /-.0
SIZE	GAGE CODE	DRAWN BY	ITEM NO.
A	3FKRS	VTHANGARAJ	FMWGA3215
ALL DIMENSIONS SHOWN ARE FOR REFERENCE ONLY.			SCALE
			N/A
			REV
			A



THIRD-ANGLE PROJECTION
THE INFORMATION AND DESIGN IN THIS DOCUMENT IS THE PROPERTY OF FAIRVIEW MICROWAVE CORPORATION. ALL RIGHTS RESERVED.

SHEET 1 OF 1