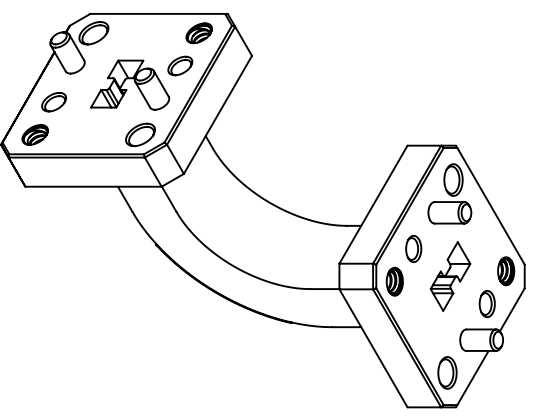
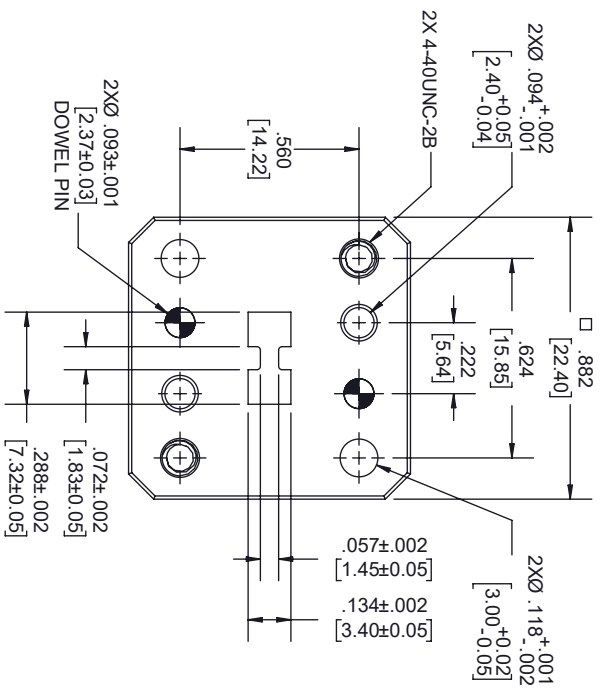
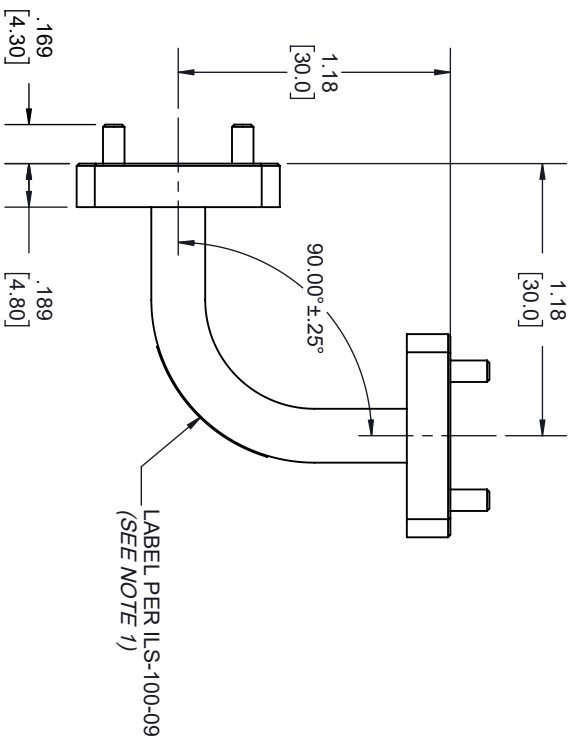
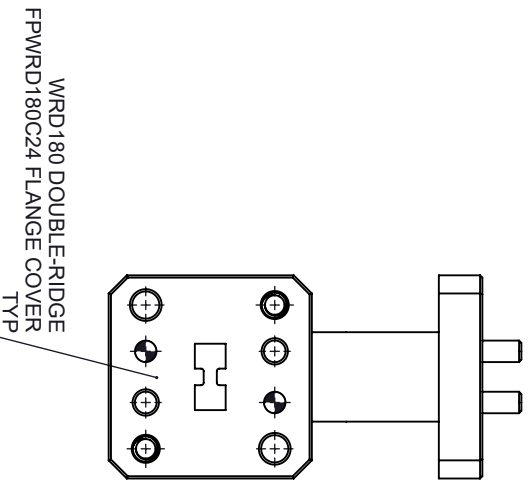


REVISIONS			
REV.	DESCRIPTION	DATE	APPROVED
A	INITIAL RELEASE	10/2/2020	S.PONG



**NOTES:**

- LABEL PER ILS-100-09, FOR INTERNAL REFERENCE ONLY.  
LABEL LOCATION FOR REFERENCE ONLY.

THESE COMMODITIES, TECHNOLOGY OR SOFTWARE WERE EXPORTED FROM THE UNITED STATES IN ACCORDANCE WITH THE EXPORT ADMINISTRATION REGULATIONS, DIVERSION CONTRARY TO U.S. LAW PROHIBITED.



**Fairview Microwave™**  
an INFINITT® brand

UNLESS OTHERWISE SPECIFIED LEADING DIMENSIONS ARE INCHES				THIRD-ANGLE PROJECTION	
DIMENSIONS IN [ ] ARE MILLIMETERS				THE INFORMATION AND DESIGN IN THIS DOCUMENT IS THE PROPERTY OF FAIRVIEW MICROWAVE CORPORATION. ALL RIGHTS RESERVED.	
TOLERANCES:				SCALE	
CABLE LENGTH (L) TOLERANCES:				1	
L ≤ 12 (305) = +1 (25) / -0				1	
12 (305) < L ≤ 60 (1524) = +2 (51) / -0				1	
60 (1524) < L ≤ 120 (3048) = +4 (102) / -0				1	
120 (3048) < L ≤ 300 (7620) = +6 (152) / -0				1	
300 (7620) < L = +5% / -0				1	
X = ±.2 [5.08] FRACTIONS ± 1/32				1	
XX = ±.02 [.51] ± 1/32				1	
XXX = ±.005 [0.13] ANGLES ± 1°				1	
SIZE	GAGE CODE	DRAWN BY	ITEM NO.	SCALE	REV
A	3FKRS	K.DANG	FMWRD180B001	N/A	A