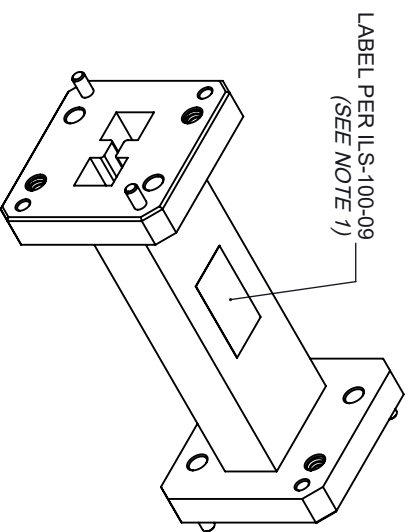
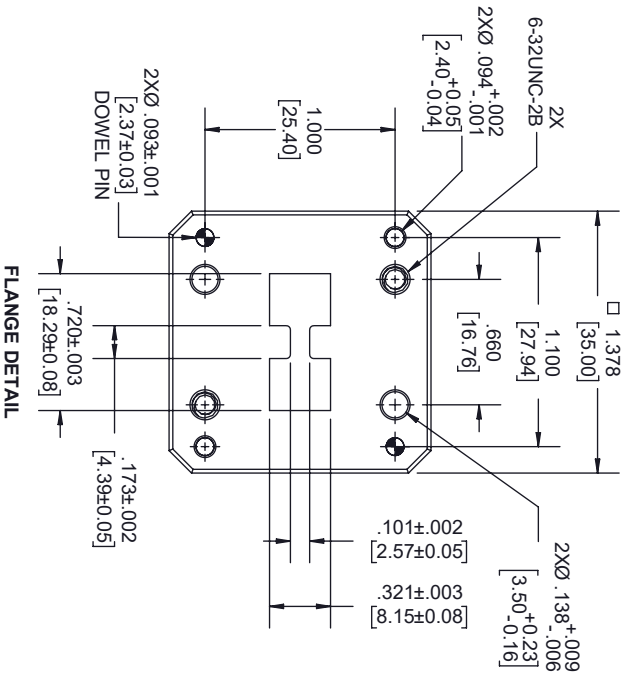
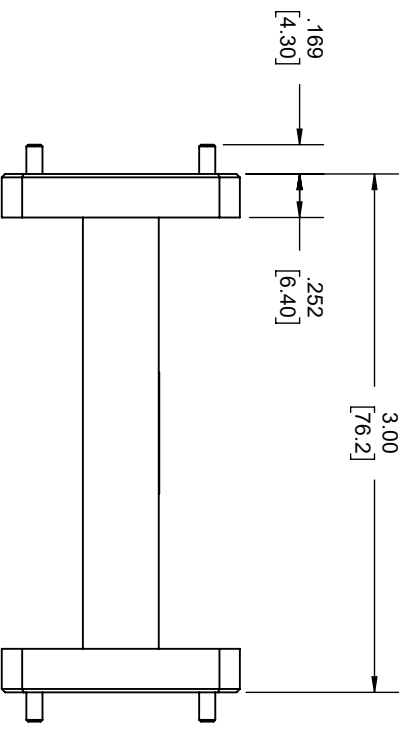
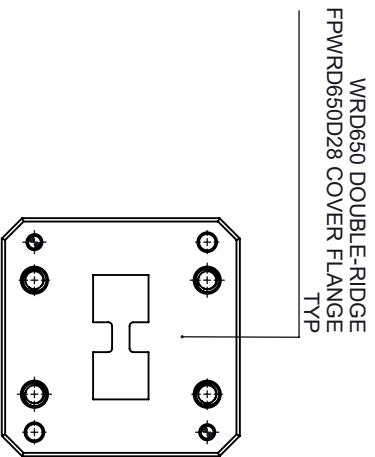


REVISIONS			
REV.	DESCRIPTION	DATE	APPROVED
A	INITIAL RELEASE	10/11/2020	S.PONG



NOTES:

1. LABEL PER ILS-100-09. FOR INTERNAL REFERENCE ONLY. LABEL LOCATION FOR REFERENCE ONLY.

THESE COMMODITIES, TECHNOLOGY OR SOFTWARE WERE EXPORTED FROM THE UNITED STATES IN ACCORDANCE WITH THE EXPORT ADMINISTRATION REGULATIONS, DIVERSION CONTRARY TO U.S. LAW PROHIBITED.



TITLE

UNLESS OTHERWISE SPECIFIED LEADING DIMENSIONS ARE INCHES				THIRD-ANGLE PROJECTION	
DIMENSIONS IN [] ARE MILLIMETERS					
TOLERANCES:				THE INFORMATION AND DESIGN IN THIS DOCUMENT IS THE PROPERTY OF FAIRVIEW MICROWAVE CORPORATION. ALL RIGHTS RESERVED.	
FRACTIONS		CABLE LENGTH (L) TOLERANCES:		SCALE	
X = ±.2	[.08]	12 [305]	< L ≤ 60 [1524]	= +.125 / -0	1
XX = ±.02	[.51]	60 [1524]	< L ≤ 120 [3048]	= +.4 [102] / -0	
XXX = ±.005	[.13]	120 [3048]	< L ≤ 300 [7620]	= +.6 [152] / -0	
ALL DIMENSIONS SHOW ARE FOR REFERENCE ONLY.				SHEET 1 OF 1	
SIZE	GAGE CODE	DRAWN BY	ITEM NO.	REV	
A	3FKRS	K.DANG	FMWRD650S001-3	A	N/A