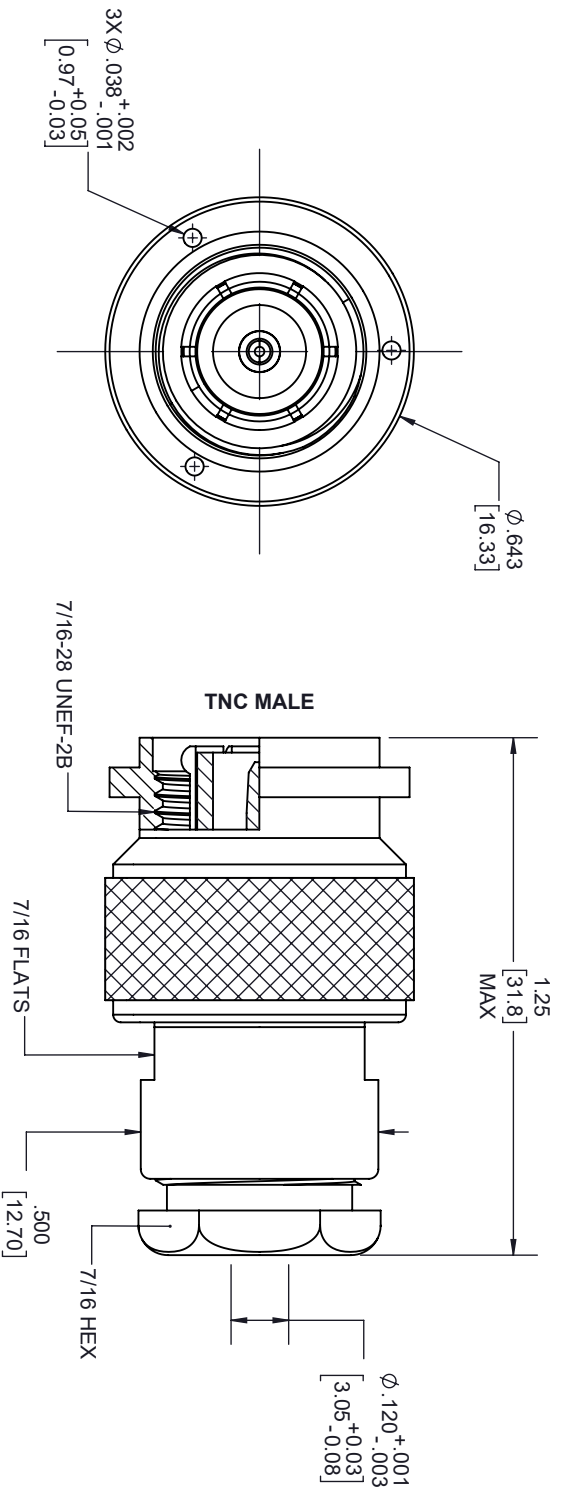


REVISIONS			
REV.	DESCRIPTION	DATE	APPROVED
B	PCR M39012/26-0018	3/1/2022	A. GANWANI



THESE COMMODITIES, TECHNOLOGY OR SOFTWARE WERE EXPORTED FROM THE UNITED STATES IN ACCORDANCE WITH THE EXPORT ADMINISTRATION REGULATIONS, DIVERSION CONTRARY TO U.S. LAW PROHIBITED.



UNLESS OTHERWISE SPECIFIED LEADING DIMENSIONS ARE INCHES
DIMENSIONS IN [] ARE MILLIMETERS

THIRD-ANGLE PROJECTION

TOLERANCES:

FRACTIONS	CABLE LENGTH (L) TOLERANCES:	THE INFORMATION AND DESIGN IN THIS DOCUMENT IS THE PROPERTY OF FAIRVIEW MICROWAVE CORPORATION. ALL RIGHTS RESERVED.
X = ±.2 [5.08]	L ≤ 12 [305] = ±1 [25] / -0	SHEET 1 OF 1
XX = ±.02 [.51]	12 [305] < L ≤ 60 [1524] = ±2 [51] / -0	
XXX = ±.005 [.13]	60 [1524] < L ≤ 120 [3048] = ±4 [102] / -0	
ANGLES ± 1°	120 [3048] < L ≤ 300 [7620] = ±6 [152] / -0	

ALL DIMENSIONS SHOWN ARE FOR REFERENCE ONLY.

SIZE	GAGE CODE	DRAWN BY	ITEM NO.	SCALE	REV
A	3FKRS	K.DANG	M39012/26-0018	N/A	B