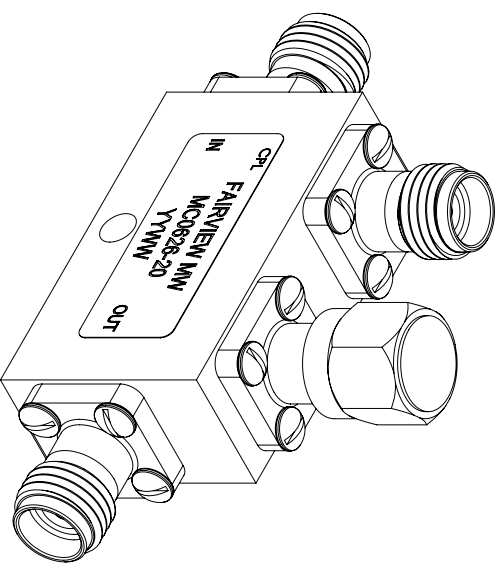


STANDARD TOLERANCES

|      |        |
|------|--------|
| .X   | ±0.2   |
| .XX  | ±0.01  |
| .XXX | ±0.005 |

\*STANDARD TOLERANCES APPLY ONLY TO DIMENSIONS IN INCHES



NOTES:  
 1. UNLESS OTHERWISE SPECIFIED ALL DIMENSIONS ARE NOMINAL.  
 2. ALL SPECIFICATIONS ARE SUBJECT TO CHANGE WITHOUT NOTICE AT ANY TIME.  
 3. DIMENSIONS ARE IN INCHES [mm].

|          |          |           |        |           |      |
|----------|----------|-----------|--------|-----------|------|
| TITLE    |          | DWG NO    |        | CAGE CODE |      |
|          |          | MC0626-20 |        | 3FKR5     |      |
| CAD FILE | 02/07/19 | SHEET     | 1 OF 1 | SCALE     | N/A  |
|          |          | SIZE      | A      |           | 7361 |