

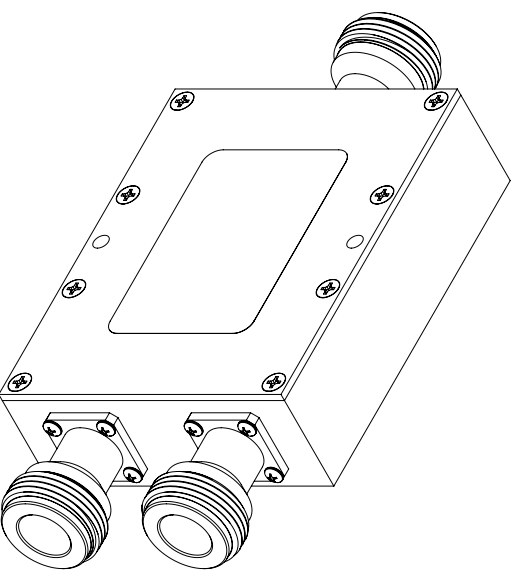
**LABEL**

**Fairview Microwave**  
 RF COMPONENTS ON DEMAND. *Done!*  
 www.FAIRVIEWMICROWAVE.com  
**MP0835-2**  
 F: 800 - 3500 MHz  
 S/N: XXXXXXXXXXXX

**STANDARD TOLERANCES**

.X ±0.2  
 .XX ±0.01  
 .XXX ±0.005

\*STANDARD TOLERANCES APPLY ONLY TO DIMENSIONS IN INCHES



TITLE		DWG NO		CAGE CODE	
		MP0835-2		3FKR5	
CAD FILE	10/12/18	SHEET	1 OF 1	SCALE	N/A
				SIZE	A
					7361

NOTES:  
 1. UNLESS OTHERWISE SPECIFIED ALL DIMENSIONS ARE NOMINAL.  
 2. ALL SPECIFICATIONS ARE SUBJECT TO CHANGE WITHOUT NOTICE AT ANY TIME.  
 3. DIMENSIONS ARE IN INCHES [mm].