

SMA MALE

SMA FEMALE

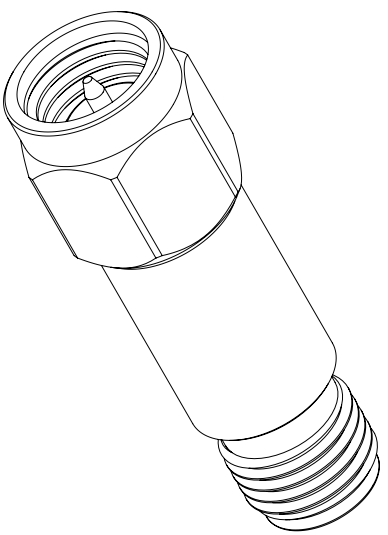
LABEL



STANDARD TOLERANCES

.X ±0.2
.XX ±0.01
.XXX ±0.005

*STANDARD TOLERANCES APPLY ONLY TO DIMENSIONS IN INCHES



NOTES:
1. UNLESS OTHERWISE SPECIFIED ALL DIMENSIONS ARE NOMINAL.
2. ALL SPECIFICATIONS ARE SUBJECT TO CHANGE WITHOUT NOTICE AT ANY TIME.
3. DIMENSIONS ARE IN INCHES [mm].

| | | | | | |
|----------|----------|----------|--------|-----------|------|
| TITLE | | DWG NO | | CAGE CODE | |
| | | SA18E-13 | | 3FKR5 | |
| CAD FILE | 12/18/18 | SHEET | 1 OF 1 | SCALE | N/A |
| | | | | SIZE | A |
| | | | | | 7361 |