

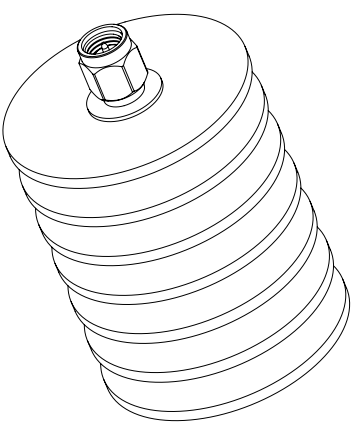
LABEL:

FAIRVIEW MICROWAVE
SA18S25W-20

STANDARD TOLERANCES
.X ±0.2
.XX ±0.01
.XXX ±0.005

NOTES:

- OVERALL LENGTH WILL VARY SLIGHTLY
MAX LENGTH IS 2.70 [68.5].



*STANDARD TOLERANCES APPLY
ONLY TO DIMENSIONS IN INCHES

Fairview Microwave
RF COMPONENTS ON DEMAND. *Done!*

NOTES:
1. UNLESS OTHERWISE SPECIFIED ALL DIMENSIONS ARE NOMINAL.
2. ALL SPECIFICATIONS ARE SUBJECT TO CHANGE WITHOUT NOTICE AT ANY TIME.
3. DIMENSIONS ARE IN INCHES [mm].

TITLE		DWG NO		CAGE CODE	
SA18S25W-20		SA18S25W-20		3FKR5	
CAD FILE	03/27/19	SHEET	1 OF 1	SCALE	N/A
				SIZE	A
					7361