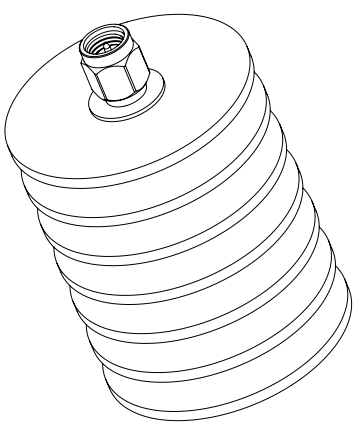


LABEL:

**FAIRVIEW MICROWAVE**  
SA18S25W-40

STANDARD TOLERANCES  
.X ±0.2  
.XX ±0.01  
.XXX ±0.005

NOTES:  
1. OVERALL LENGTH WILL VARY SLIGHTLY  
MAX LENGTH IS 2.70 [68.5].



\*STANDARD TOLERANCES APPLY ONLY TO DIMENSIONS IN INCHES



NOTES:  
1. UNLESS OTHERWISE SPECIFIED ALL DIMENSIONS ARE NOMINAL.  
2. ALL SPECIFICATIONS ARE SUBJECT TO CHANGE WITHOUT NOTICE AT ANY TIME.  
3. DIMENSIONS ARE IN INCHES [mm].

TITLE	
SA18S25W-40	

DWG NO	CAGE CODE		
SA18S25W-40	3FKR5		
CAD FILE	SHEET	SCALE	SIZE
03/27/19	1 OF 1	N/A	A
			7361