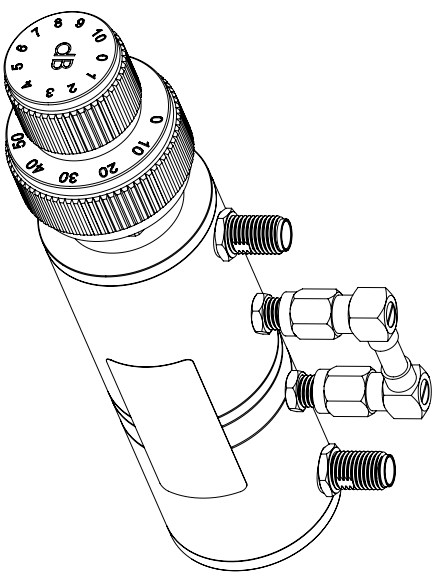


LABEL:

SA3770SMA
SN: XXXXXXXXX
ROTARY 70dB, 1dB STEP
SMA-F S STEEL SMA 3GHZ, 2W
STANDARD TOLERANCES
.X ±0.2
.XX ±0.01
.XXX ±0.005

*STANDARD TOLERANCES APPLY ONLY TO DIMENSIONS IN INCHES



TITLE	
DWG NO SA3770SMA	
CAD FILE 03/27/19	SHEET 1 OF 1

CAGE CODE 3FKR5	
SCALE N/A	SIZE A
7361	

NOTES:
 1. UNLESS OTHERWISE SPECIFIED ALL DIMENSIONS ARE NOMINAL.
 2. ALL SPECIFICATIONS ARE SUBJECT TO CHANGE WITHOUT NOTICE AT ANY TIME.
 3. DIMENSIONS ARE IN INCHES [mm].