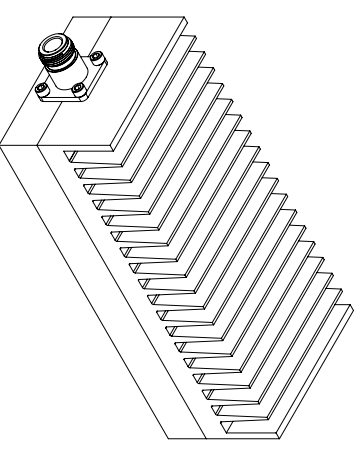
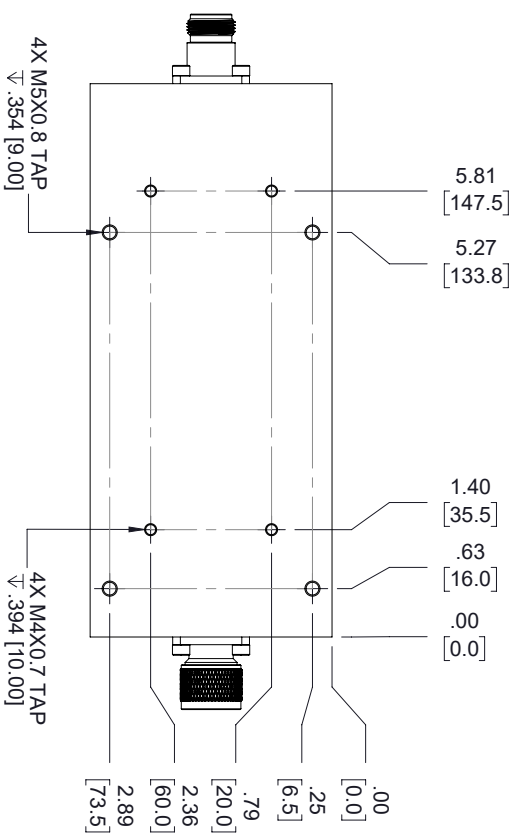
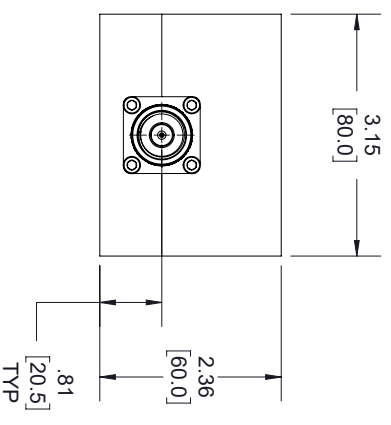
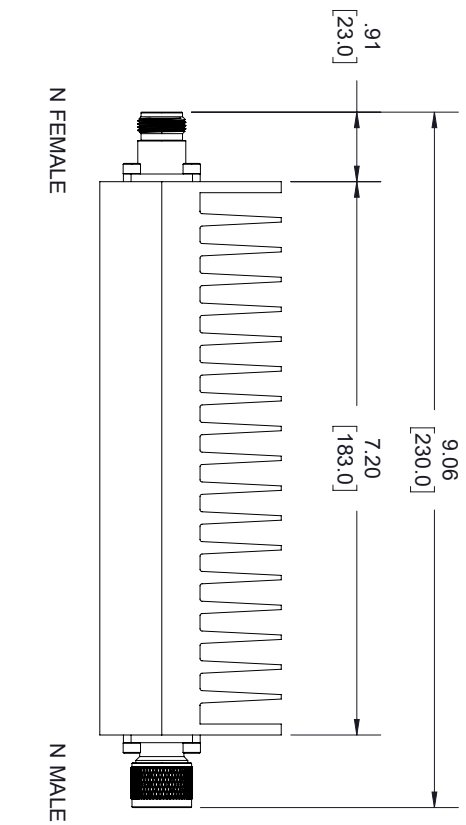


REVISIONS			
REV.	DESCRIPTION	DATE	APPROVED
A	PCR SA3N1007-XX	5/8/2020	S.PONG



LABEL:

FAIRVIEW MICROWAVE  
SA3N1007-20  
D/C: YYWW

THESE COMMODITIES, TECHNOLOGY OR SOFTWARE WERE EXPORTED FROM THE UNITED STATES IN ACCORDANCE WITH THE EXPORT ADMINISTRATION REGULATIONS, DIVERSION CONTRARY TO U.S. LAW PROHIBITED.



TITLE

UNLESS OTHERWISE SPECIFIED LEADING DIMENSIONS ARE INCHES DIMENSIONS IN [ ] ARE MILLIMETERS				THIRD-ANGLE PROJECTION							
TOLERANCES:				THE INFORMATION AND DESIGN IN THIS DOCUMENT IS THE PROPERTY OF FAIRVIEW MICROWAVE CORPORATION. ALL RIGHTS RESERVED.							
CABLE LENGTH (L) TOLERANCES:				SHEET 1 OF 1							
X = ±.2 [5.08] FRACTIONS XX = ±.02 [.51] ±.1/32 XXX = ±.005 [.13] ANGLES ± 1°				L ± 1/2 B065 = +1 [25] / -0 12 [305] < L ≤ 60 [1524] = +2 [51] / -0 60 [1524] < L ≤ 120 [3048] = +4 [102] / -0 120 [3048] < L ≤ 300 [7620] = +6 [152] / -0 300 [7620] < L = +5% / -0				SCALE N/A			
SIZE	GAGE CODE	DRAWN BY	ITEM NO.	REV	SCALE	REV	REV				
A	3FKRS	K.DANG	SA3N1007-20	A	N/A	A	A				