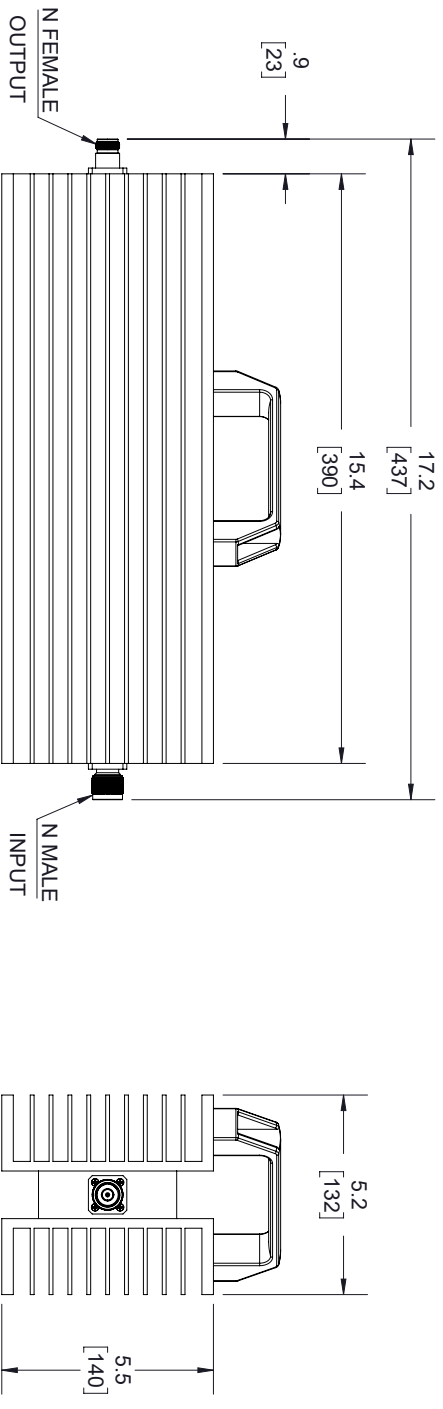
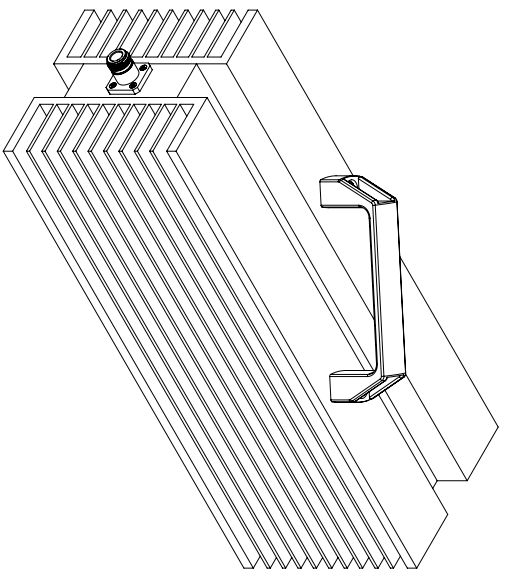


REVISIONS			
REV.	DESCRIPTION	DATE	APPROVED
A	PCR SA3N500-XX 20191111	11/18/19	J.GARCIA



LABEL

FAIRVIEW MICROWAVE
SA3N500-10
D/C: YYYYWW



THESE COMMODITIES, TECHNOLOGY OR SOFTWARE WERE EXPORTED FROM THE UNITED STATES IN ACCORDANCE WITH THE EXPORT ADMINISTRATION REGULATIONS, DIVERSION CONTRARY TO U.S. LAW PROHIBITED.



TITLE

UNLESS OTHERWISE SPECIFIED LEADING DIMENSIONS ARE INCHES				THIRD-ANGLE PROJECTION	
DIMENSIONS IN [] ARE MILLIMETERS					
TOLERANCES:				THE INFORMATION AND DESIGN IN THIS DOCUMENT IS THE PROPERTY OF FAIRVIEW MICROWAVE CORPORATION. ALL RIGHTS RESERVED.	
CABLE LENGTH (L) TOLERANCES:		L ≤ 12 [305] = +1 [25] / -0		SHEET 1 OF 1	
X = ±.2 [5.08] FRACTIONS ± 1/32		12 [305] < L ≤ 60 [1524] = +2 [51] / -0		SCALE N/A	
XX = ±.02 [.51] ANGLES ± 1°		60 [1524] < L ≤ 120 [3048] = +4 [102] / -0		REV A	
XXX = ±.005 [.13]		120 [3048] < L ≤ 300 [7620] = +6 [152] / -0		PART NUMBER SA3N500-10	
		300 [7620] < L = +5% / -0		DRAWN BY K.DANG	
ALL DIMENSIONS SHOWN ARE FOR REFERENCE ONLY.					
SIZE A	GAGE CODE 3FKR5	FAIRVIEW MICROWAVE CORPORATION		REV A	