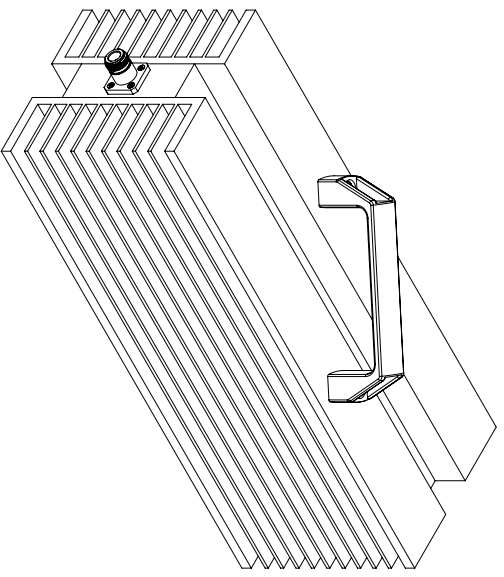
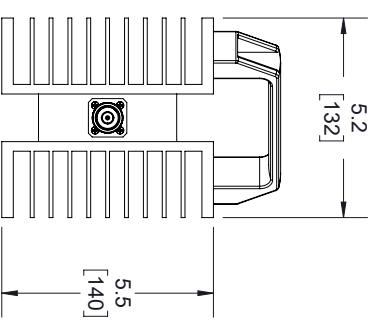
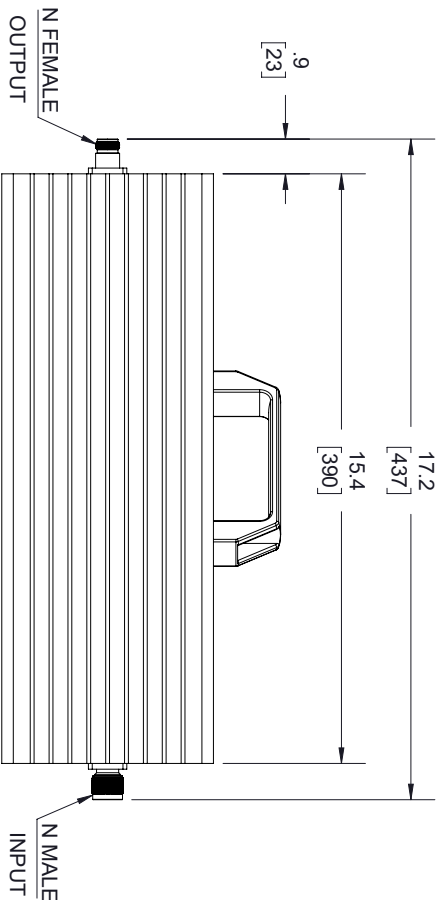


REVISIONS			
REV.	DESCRIPTION	DATE	APPROVED
A	PCR SA3N500-XX 20191111	11/18/19	J.GARCIA



FAIRVIEW MICROWAVE
SA3N500-30
D/C: YYYYWW

LABEL

THESE COMMODITIES, TECHNOLOGY OR SOFTWARE WERE EXPORTED FROM THE UNITED STATES IN ACCORDANCE WITH THE EXPORT ADMINISTRATION REGULATIONS, DIVERSION CONTRARY TO U.S. LAW PROHIBITED.



TITLE

UNLESS OTHERWISE SPECIFIED LEADING DIMENSIONS ARE INCHES DIMENSIONS IN [] ARE MILLIMETERS				THIRD-ANGLE PROJECTION	
TOLERANCES:					
CABLE LENGTH (L) TOLERANCES:		THE INFORMATION AND DESIGN IN THIS DOCUMENT IS THE PROPERTY OF FAIRVIEW MICROWAVE CORPORATION. ALL RIGHTS RESERVED.			
X = ±.2	[.008]	FRACTIONS	L ≤ 12 [305] = +1 [25] / -0	SHEET 1 OF 1	
XX = ±.02	[.51]	± 1/32	12 [305] < L ≤ 60 [1524] = +2 [51] / -0	SCALE N/A	
XXX = ±.005	[.13]	ANGLES ± 1°	60 [1524] < L ≤ 120 [3048] = +4 [102] / -0	REV A	
			120 [3048] < L ≤ 300 [7620] = +6 [152] / -0	REV A	
			300 [7620] < L = +5% / -0	REV A	
SIZE	GAGE CODE	DRAWN BY	PART NUMBER	SCALE	
A	3FKR5	K.DANG	SA3N500-30	N/A	
ALL DIMENSIONS SHOWN ARE FOR REFERENCE ONLY.					