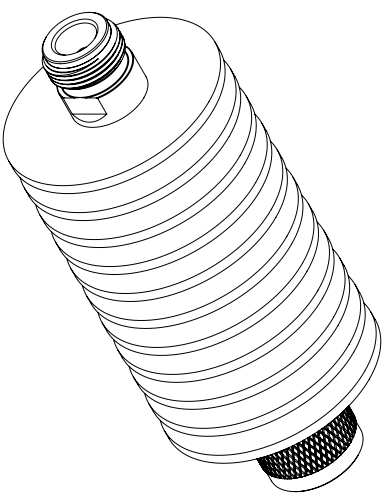
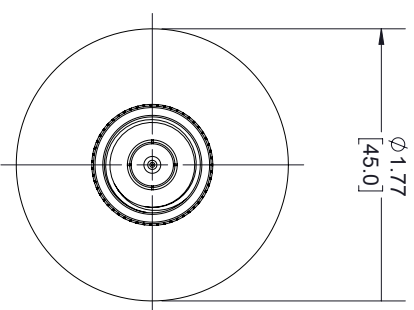
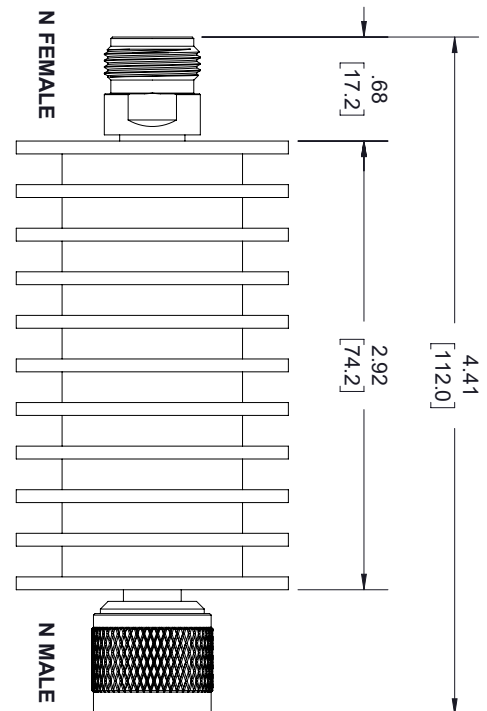


REVISIONS			
REV.	DESCRIPTION	DATE	APPROVED
A	PCR SA3N512-XX	5/12/2020	S.PONG



LABEL:

FAIRVIEW MICROWAVE
SA3N512-06
D/C: YWWW

THESE COMMODITIES, TECHNOLOGY OR SOFTWARE WERE EXPORTED FROM THE UNITED STATES IN ACCORDANCE WITH THE EXPORT ADMINISTRATION REGULATIONS, DIVERSION CONTRARY TO U.S. LAW PROHIBITED.



UNLESS OTHERWISE SPECIFIED LEADING DIMENSIONS ARE INCHES

TOLERANCES: DIMENSIONS IN [] ARE MILLIMETERS

CABLE LENGTH (L) TOLERANCES:

	FRACTIONS	± 1/32	ANGLES ± 1°
X = ±.2	[.08]	12 [305] < L ≤ 60 [1524] = ±2 [51] / -0	L ≤ 12 [305] = +1 [25] / -0
XX = ±.02	[.51]	60 [1524] < L ≤ 120 [3048] = ±4 [102] / -0	12 [305] < L ≤ 60 [1524] = ±2 [51] / -0
XXX = ±.005	[.13]	120 [3048] < L ≤ 300 [7620] = ±6 [152] / -0	60 [1524] < L ≤ 120 [3048] = ±4 [102] / -0
		300 [7620] < L = +5%L / -0	120 [3048] < L ≤ 300 [7620] = ±6 [152] / -0

THIRD-ANGLE PROJECTION

THE INFORMATION AND DESIGN IN THIS DOCUMENT IS THE PROPERTY OF FAIRVIEW MICROWAVE CORPORATION. ALL RIGHTS RESERVED.

SHEET 1 OF 1

SIZE	GAGE CODE	DRAWN BY	ITEM NO.	SCALE	REV
A	3FKR5	K.DANG	SA3N512-06	N/A	A

ALL DIMENSIONS SHOWN ARE FOR REFERENCE ONLY.

TITLE

T:Rev D