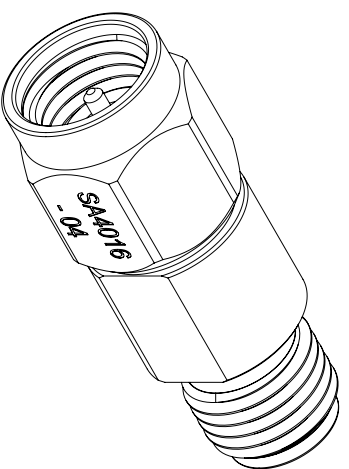
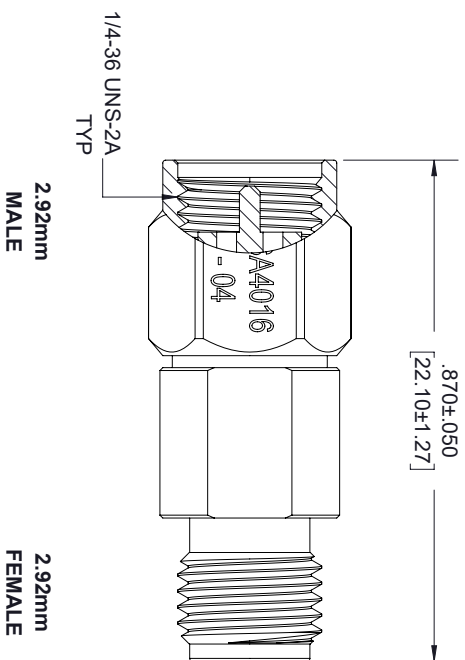
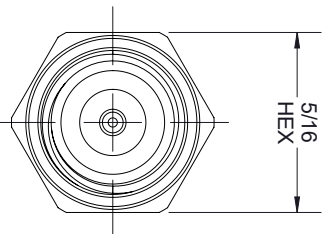


REVISIONS			
REV.	DESCRIPTION	DATE	APPROVED
A	PCR SAA4016-XX 20191025	10/30/19	S ELLIS



THESE COMMODITIES, TECHNOLOGY OR SOFTWARE WERE EXPORTED FROM THE UNITED STATES IN ACCORDANCE WITH THE EXPORT ADMINISTRATION REGULATIONS, DIVERSION CONTRARY TO U.S. LAW PROHIBITED.



TITLE

UNLESS OTHERWISE SPECIFIED LEADING DIMENSIONS ARE INCHES DIMENSIONS IN [] ARE MILLIMETERS				THIRD-ANGLE PROJECTION	
TOLERANCES:					
CABLE LENGTH (L) TOLERANCES:		THE INFORMATION AND DESIGN IN THIS DOCUMENT IS THE PROPERTY OF FAIRVIEW MICROWAVE CORPORATION. ALL RIGHTS RESERVED.			
$L \leq 12$ [305] = +1 [25] / -0 $12 [305] < L \leq 60$ [1524] = +2 [51] / -0 $60 [1524] < L \leq 120$ [3048] = +4 [102] / -0 $120 [3048] < L \leq 300$ [7620] = +6 [152] / -0 $300 [7620] < L = +5\% / -0$		SCALE			
SIZE	CAGE CODE	DRAWN BY	PART NUMBER	REV	
A	3FKR5	K.DANG	SAA4016-04	A	N/A