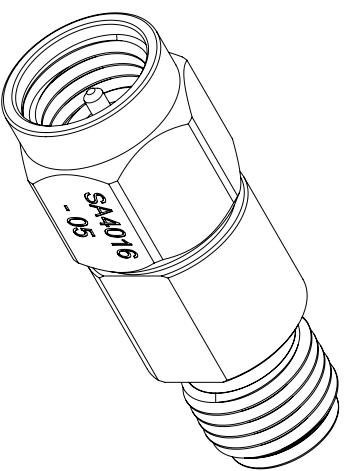
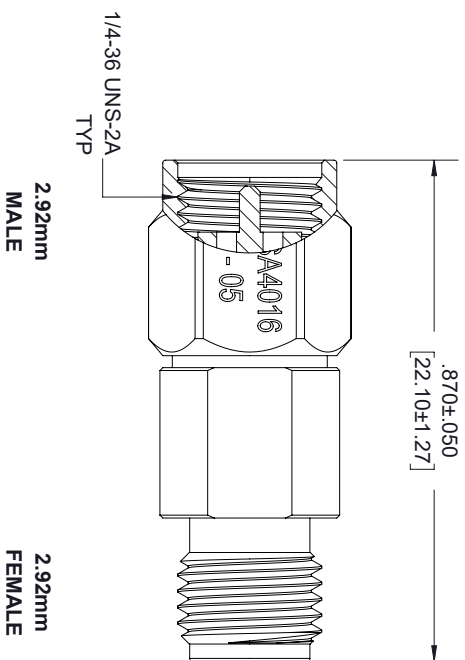
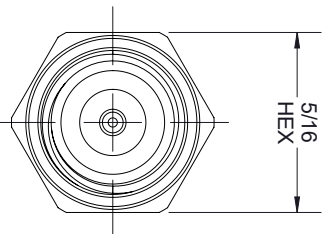


REVISIONS			
REV.	DESCRIPTION	DATE	APPROVED
A	PCR SA4016-XX 20191025	10/30/19	S ELLIS



THESE COMMODITIES, TECHNOLOGY OR SOFTWARE WERE EXPORTED FROM THE UNITED STATES IN ACCORDANCE WITH THE EXPORT ADMINISTRATION REGULATIONS, DIVERSION CONTRARY TO U.S. LAW PROHIBITED.



TITLE

UNLESS OTHERWISE SPECIFIED LEADING DIMENSIONS ARE INCHES DIMENSIONS IN [] ARE MILLIMETERS				THIRD-ANGLE PROJECTION	
TOLERANCES:					
CABLE LENGTH (L) TOLERANCES:		THE INFORMATION AND DESIGN IN THIS DOCUMENT IS THE PROPERTY OF FAIRVIEW MICROWAVE CORPORATION. ALL RIGHTS RESERVED.			
L ≤ 12 [305] = +1 [25] / -0		SHEET 1 OF 1			
12 [305] < L ≤ 60 [1524] = +2 [51] / -0		SCALE N/A			
60 [1524] < L ≤ 120 [3048] = +4 [102] / -0		REV A			
120 [3048] < L ≤ 300 [7620] = +6 [152] / -0		DRAWN BY K.DANG			
300 [7620] < L = +5% / -0		PART NUMBER SA4016-05			
X = ±.2 [5.08] FRACTIONS ± 1/32		SIZE A			
XX = ±.02 [.51] ANGLES ± 1°		CAGE CODE 3FKR5			
XXX = ±.005 [.13]		DRAWN BY K.DANG			
ALL DIMENSIONS SHOWN ARE FOR REFERENCE ONLY.					