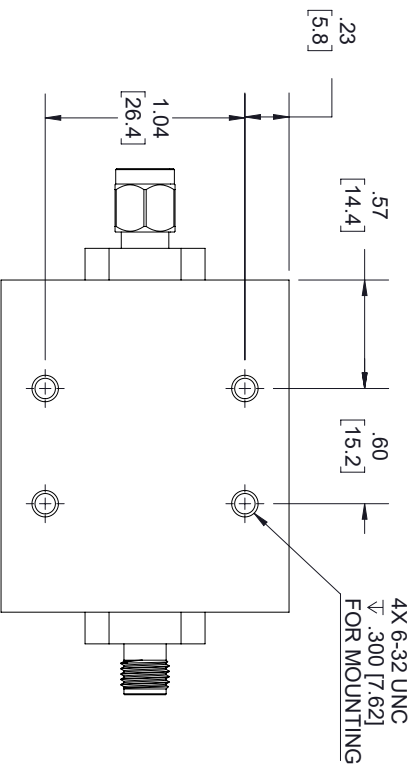
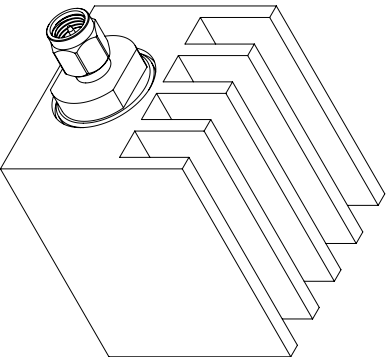
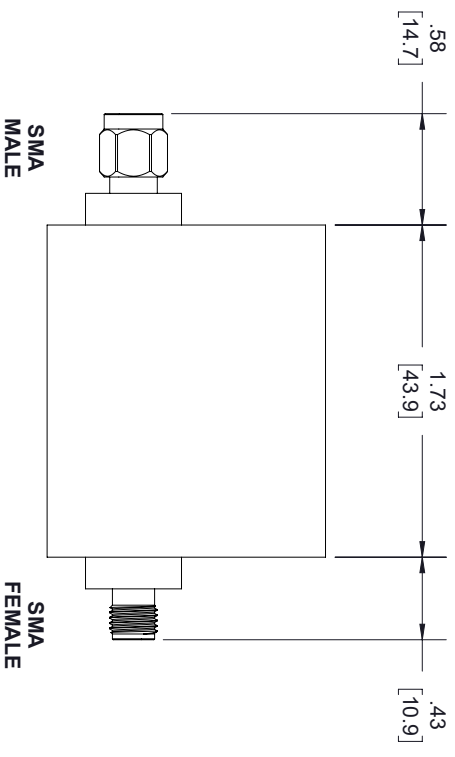
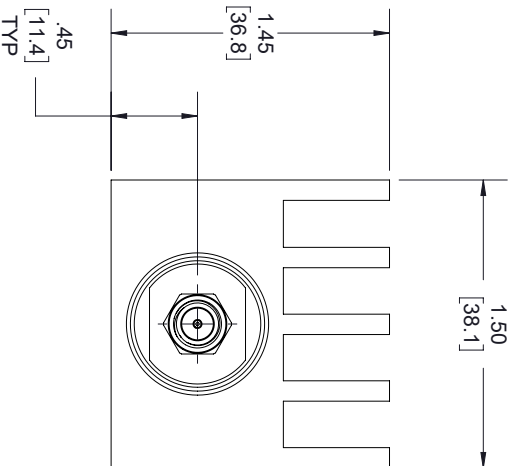


REVISIONS			DATE	APPROVED
REV.	DESCRIPTION			
A	FOR SA4S25-30		4/8/2020	S.PONG



THESE COMMODITIES, TECHNOLOGY OR SOFTWARE WERE EXPORTED FROM THE UNITED STATES IN ACCORDANCE WITH THE EXPORT ADMINISTRATION REGULATIONS, DIVERSION CONTRARY TO U.S. LAW PROHIBITED.



TITLE

UNLESS OTHERWISE SPECIFIED LEADING DIMENSIONS ARE INCHES  
DIMENSIONS IN [ ] ARE MILLIMETERS

TOLERANCES:

X = ±.2	[.08]	FRACTIONS	12 [305] < L ≤ 60 [1524] = +.2 [51] / -.0
XX = ±.02	[.51]		60 [1524] < L ≤ 120 [3048] = +.4 [102] / -.0
XXX = ±.005	[.13]	ANGLES ± 1°	120 [3048] < L ≤ 300 [7620] = +.6 [152] / -.0

CABLE LENGTH (L) TOLERANCES:

L ≤ 12 [305]	= +.1 [25] / -.0
12 [305] < L ≤ 60 [1524]	= +.2 [51] / -.0
60 [1524] < L ≤ 120 [3048]	= +.4 [102] / -.0
120 [3048] < L ≤ 300 [7620]	= +.6 [152] / -.0
300 [7620] < L	= +5% / -.0

THIRD-ANGLE PROJECTION

THE INFORMATION AND DESIGN IN THIS DOCUMENT IS THE PROPERTY OF FAIRVIEW MICROWAVE CORPORATION. ALL RIGHTS RESERVED.

SHEET 1 OF 1

ALL DIMENSIONS SHOWN ARE FOR REFERENCE ONLY.

SCALE

SIZE A GAGE CODE 3FKR5 DRAWN BY K.DANG ITEM NO. SA4S25-30 REV A