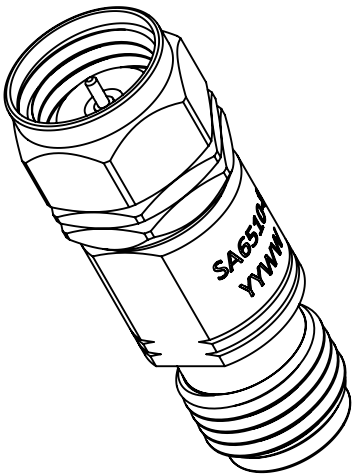
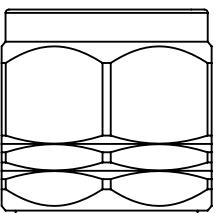


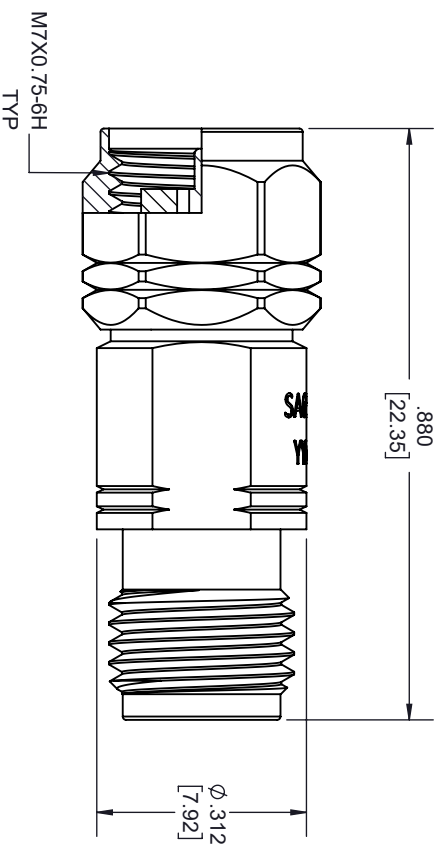
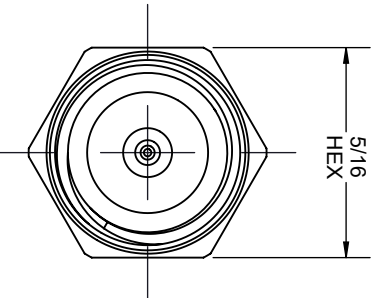
REVISIONS			
REV.	DESCRIPTION	DATE	APPROVED
B	PE7403-10 SA6510-10 20220429	6/7/2022	S. PONG



1.85mm MALE



1.85mm FEMALE



THESE COMMODITIES, TECHNOLOGY OR SOFTWARE WERE EXPORTED FROM THE UNITED STATES IN ACCORDANCE WITH THE EXPORT ADMINISTRATION REGULATIONS, DIVERSION CONTRARY TO U.S. LAW PROHIBITED.



TITLE

UNLESS OTHERWISE SPECIFIED LEADING DIMENSIONS ARE INCHES DIMENSIONS IN [] ARE MILLIMETERS				THIRD-ANGLE PROJECTION	
TOLERANCES:					
FRACTIONS		CABLE LENGTH (L) TOLERANCES:		THE INFORMATION AND DESIGN IN THIS DOCUMENT IS THE PROPERTY OF FAIRVIEW MICROWAVE CORPORATION. ALL RIGHTS RESERVED.	
X = ±.2	[.008]	L ≤ 12 [305]	±.125 / -0	SHEET 1 OF 1	
XX = ±.02	[.51]	12 [305] < L ≤ 60 [1524]	±.25 / -0	SCALE N/A	
XXX = ±.005	[.13]	60 [1524] < L ≤ 120 [3048]	±.4 [1.02] / -0	REV B	
ANGLES ± 1°		120 [3048] < L ≤ 300 [7620]	±.6 [1.52] / -0	ITEM NO. SA6510-8	
		300 [7620] < L	±.9% L / -0	DRAWN BY K.DANG	
ALL DIMENSIONS SHOWN ARE FOR REFERENCE ONLY.					
SIZE A	GAGE CODE 3FKR5	DRAWN BY K.DANG	ITEM NO. SA6510-8	REV B	