

N MALE

N FEMALE

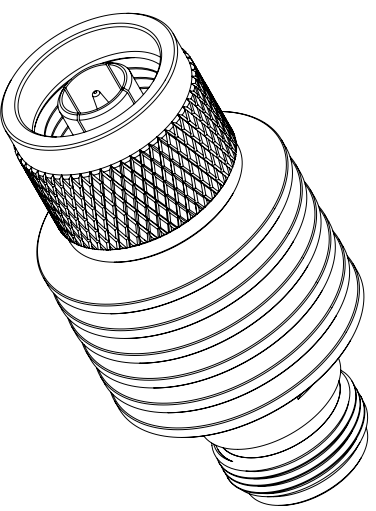
LABEL



STANDARD TOLERANCES

.X ±0.2  
.XX ±0.01  
.XXX ±0.005

\*STANDARD TOLERANCES APPLY ONLY TO DIMENSIONS IN INCHES



NOTES:  
1. UNLESS OTHERWISE SPECIFIED ALL DIMENSIONS ARE NOMINAL.  
2. ALL SPECIFICATIONS ARE SUBJECT TO CHANGE WITHOUT NOTICE AT ANY TIME.  
3. DIMENSIONS ARE IN INCHES [mm].

|          |          |            |        |           |      |
|----------|----------|------------|--------|-----------|------|
| TITLE    |          | DWG NO     |        | CAGE CODE |      |
|          |          | SA6N5WA-20 |        | 3FKR5     |      |
| CAD FILE | 07/31/18 | SHEET      | 1 OF 1 | SCALE     | N/A  |
|          |          |            |        | SIZE      | A    |
|          |          |            |        |           | 7361 |