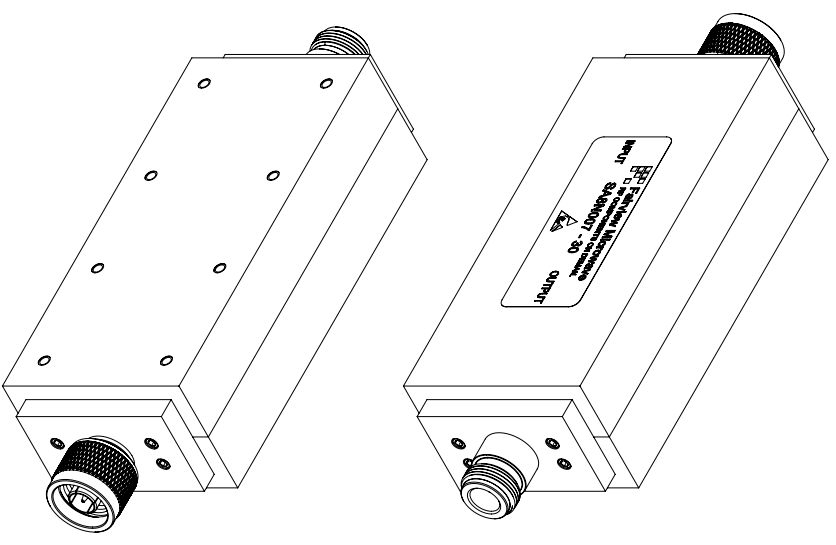


8X 6-32 T .250  
FOR MOUNTING



STANDARD TOLERANCES  
.X ±0.2  
.XX ±0.01  
.XXX ±0.005

\*STANDARD TOLERANCES APPLY  
ONLY TO DIMENSIONS IN INCHES

**Fairview Microwave**  
RF COMPONENTS ON DEMAND. *Done!*

NOTES:  
1. UNLESS OTHERWISE SPECIFIED ALL DIMENSIONS ARE NOMINAL.  
2. ALL SPECIFICATIONS ARE SUBJECT TO CHANGE WITHOUT NOTICE AT ANY TIME.  
3. DIMENSIONS ARE IN INCHES [mm].

TITLE		DWG NO		CAGE CODE	
		SA8N007-30		3FKR5	
CAD FILE	10/23/18	SHEET	1 OF 1	SCALE	N/A
		SIZE	A		7361