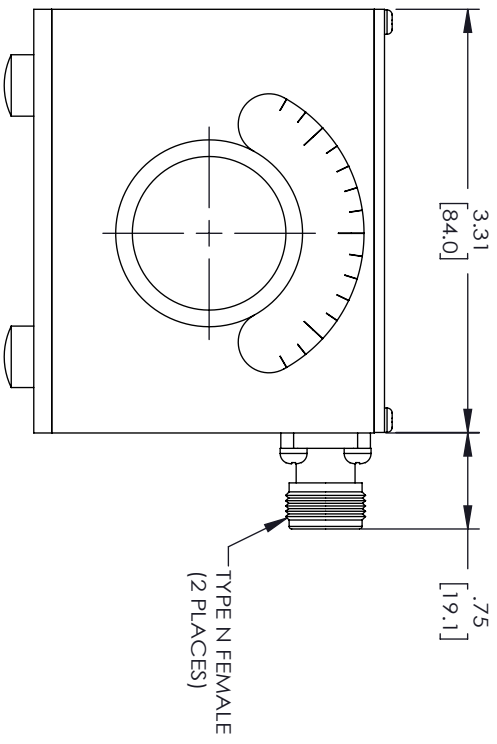
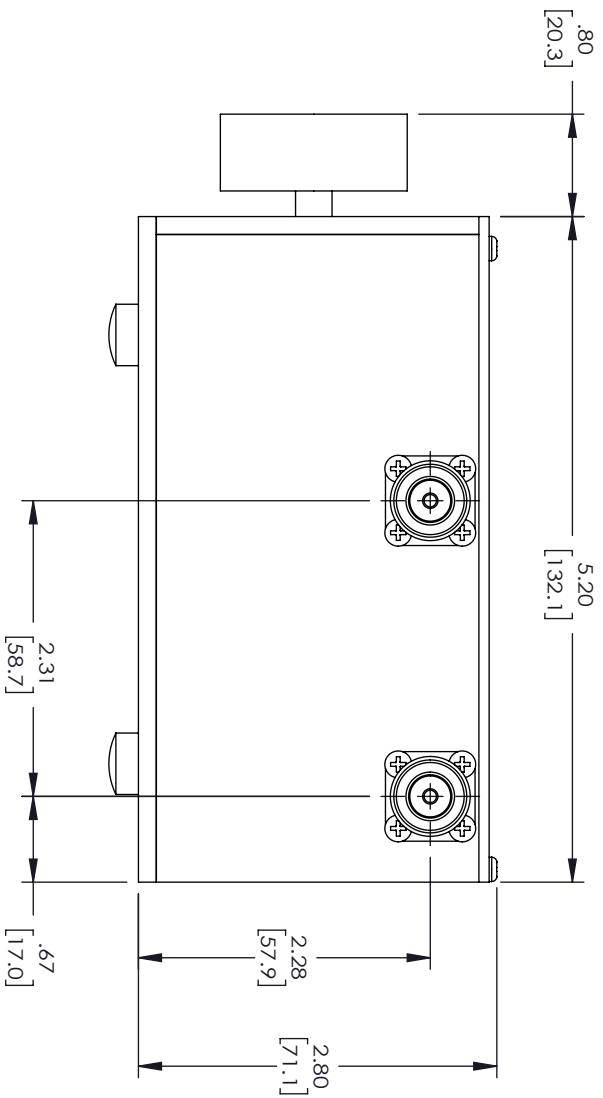


REVISIONS			
REV.	DESCRIPTION	DATE	APPROVED
A	PCR SBRF-1000-2000-01-N 20200903	09/25/20	SPONG



THESE COMMODITIES, TECHNOLOGY OR SOFTWARE WERE EXPORTED FROM THE UNITED STATES IN ACCORDANCE WITH THE EXPORT ADMINISTRATION REGULATIONS, DIVERSION CONTRARY TO U.S. LAW PROHIBITED.



TITLE				
SIZE	CAGE CODE	DRAWN BY	ITEM NO.	REV
A	3FKR5	SLI	SBRF-1000-2000-01-N	A
ALL DIMENSIONS SHOWN ARE FOR REFERENCE ONLY.				
UNLESS OTHERWISE SPECIFIED LEADING DIMENSIONS ARE INCHES DIMENSIONS IN [] ARE MILLIMETERS TOLERANCES: X = ±.2 [5.08] FRACTIONS XX = ±.02 [.51] ±.132 XXX = ±.005[.13] ANGLES ± 1°		THIRD ANGLE PROJECTION 		
CABLE LENGTH (L) TOLERANCES: L ≤ 12 [305] = +1 [25] / -0 12 [305] < L ≤ 60 [1524] = +2 [51] / -0 60 [1524] < L ≤ 120 [3048] = +4 [102] / -0 120 [3048] < L ≤ 300 [7620] = +6 [152] / -0 300 [7620] < L = +5% / -0		THE INFORMATION AND DESIGN IN THIS DOCUMENT IS THE PROPERTY OF FAIRVIEW MICROWAVE CORPORATION. ALL RIGHTS RESERVED. SHEET 1 OF 1		
SCALE				N/A