

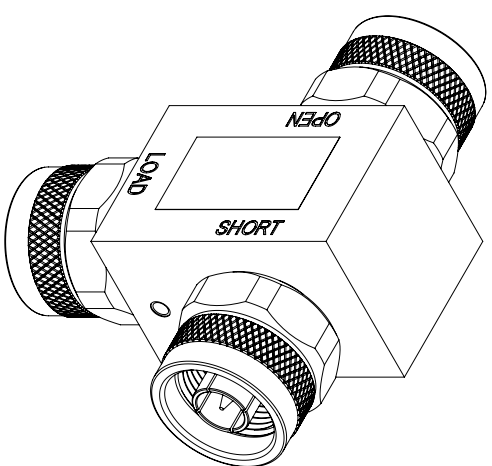
**LABEL**


**Fairview Microwave**  
 RF COMPONENTS ON DEMAND *Done!*  
 www.fairviewmicrowave.com  
**SC1072**  
 F: DC - 4.0 GHz

**STANDARD TOLERANCES**

.X	±0.2
.XX	±0.01
.XXX	±0.005

\*STANDARD TOLERANCES APPLY ONLY TO DIMENSIONS IN INCHES




**Fairview Microwave**  
 RF COMPONENTS ON DEMAND. *Done!*

NOTES:  
 1. UNLESS OTHERWISE SPECIFIED ALL DIMENSIONS ARE NOMINAL.  
 2. ALL SPECIFICATIONS ARE SUBJECT TO CHANGE WITHOUT NOTICE AT ANY TIME.  
 3. DIMENSIONS ARE IN INCHES [mm].

TITLE		DWG NO		CAGE CODE	
		SC1072		3FKR5	
CAD FILE	01/10/19	SHEET	1 OF 1	SCALE	N/A
				SIZE	A
					7361