

6

5

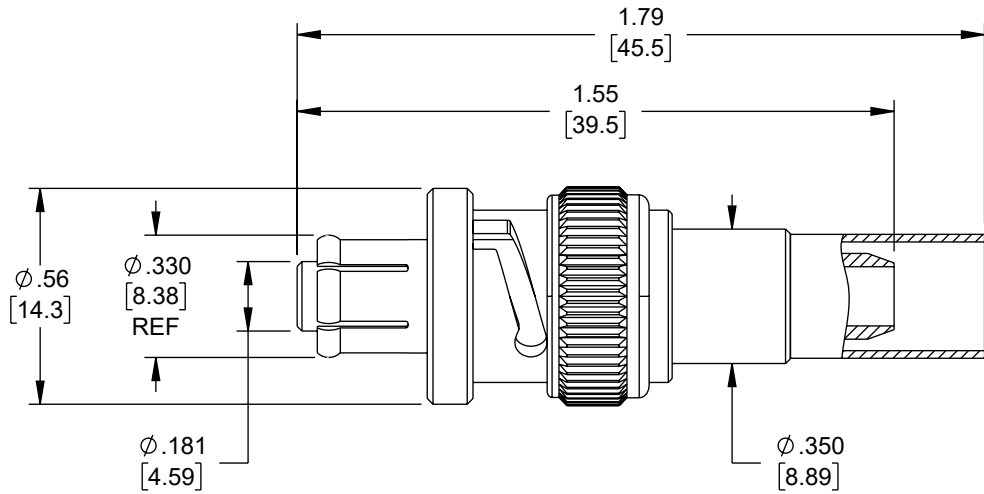
4

3

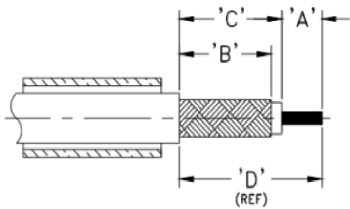
2

1

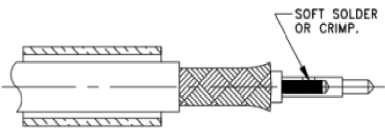
REVISION					
ZONE	REV	DESCRIPTION	DATE	CHANGED BY	APPROVED
	B	ECO-13128	1/31/2024	KDANG	AGANWANI



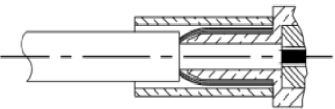
ASSEMBLY PROCEDURES:



1.) STRIP CABLE PER TRIM CODE. DO NOT KNICK BRAID OR CENTER CONDUCTOR. SLIDE CRIMP TUBE AND SHRINK TUBE (IF NECESSARY) ONTO CABLE AND PUSH BACK OUT OF THE WAY.

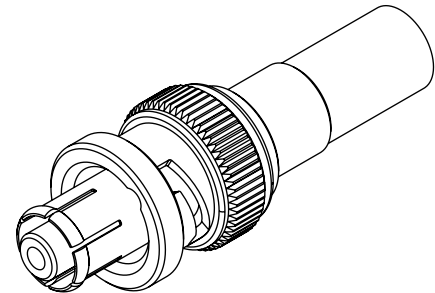


2.) FLARE END OF CABLE BRAID BY ROTATING CABLE DIELECTRIC. SOLDER OR CRIMP CONTACT ONTO CENTER CONDUCTOR AS SHOWN. DO NOT OVER-HEAT AND SWELL CABLE DIELECTRIC.



3.) INSTALL CABLE ASSEMBLY INTO BODY ASSEMBLY SO THAT TUBE PORTION OF BODY SLIDES UNDER BRAID. PUSH CABLE ASSEMBLY FORWARD UNTIL CONTACT IS IN THE CORRECT POSITION. (CAPTIVE CONTACTS WILL SNAP INTO POSITION) SLIDE CRIMP TUBE OVER BRAID & UP AGAINST CONNECTOR BODY. CRIMP USING APPROPRIATE HEX SIZE CRIMPING TOOL.

"A"	"B"	"C"	"D"
.141	.312	.760	.901



UNLESS OTHERWISE SPECIFIED LEADING DIMENSIONS ARE INCHES DIMENSIONS IN [] ARE MILLIMETERS

TOLERANCES:
 X = ±.2 [5] FRACTIONS ± 1/32
 .XX = ±.02 [0.5] ANGLES ± 1°
 .XXX = ±.005 [0.13]

CABLE LENGTH TOLERANCES:
 ≤12 [305] = +1 [25] / -0
 >12 [305] ≤ 60 [1524] = +2 [51] / -0
 >60 [1524] ≤ 120 [3048] = +4 [102] / -0
 >120 [3048] ≤ 300 [7620] = +6 [152] / -0
 >300 [7620] = +5% / -0

ALL DIMENSIONS ARE FOR REFERENCE ONLY AND SUBJECT TO CHANGE WITHOUT NOTICE UN-DIMENSIONED/NON-CRITICAL FEATURES MAY VARY IN SIZE AND LOCATION COLORS MAY VARY



Website: www.FairviewMicrowave.com
 Phone: 1.800.715.4396 | 1.972.649.6678

INTERPRET ALL DIMENSIONS AND TOLERANCES PER ASME Y14.5

SCALE NONE SHEET 1 OF 1

DESCRIPTION
SHV PLUG (MALE) CONNECTOR FOR RG59 CABLE, CRIMP/SOLDER

SIZE	CAGE CODE	DRAWN BY	ITEM NO.	REV
A	3FKR5	KDANG	SC6517	B

THE INFORMATION CONTAINED IN THIS DRAWING IS THE SOLE PROPERTY OF INFINITE ELECTRONICS, INC. ANY REPRODUCTION IN PART OR WHOLE WITHOUT THE WRITTEN PERMISSION OF INFINITE ELECTRONICS, INC. IS PROHIBITED. THESE COMMODITIES, TECHNOLOGY OR SOFTWARE WERE EXPORTED FROM THE UNITED STATES IN ACCORDANCE WITH THE EXPORT ADMINISTRATION REGULATIONS. DIVERSION CONTRARY TO U.S. LAW PROHIBITED.

6

5

4

3

2

1