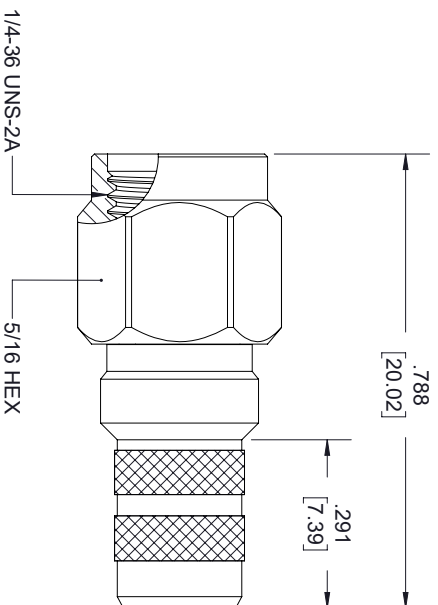
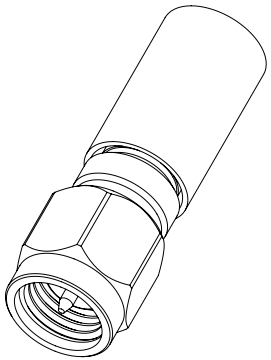
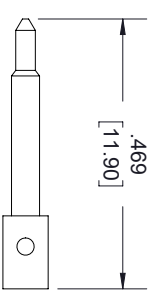


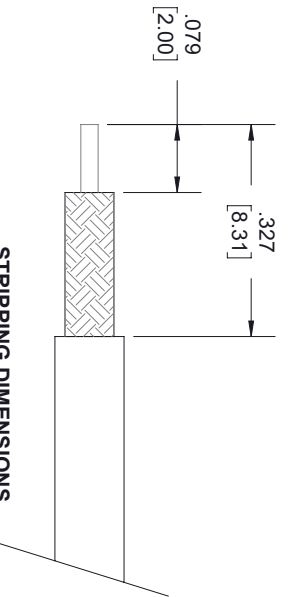
REVISIONS			
REV.	DESCRIPTION	DATE	APPROVED
A	PCR SCT035 20191112	11/15/19	S ELLIS



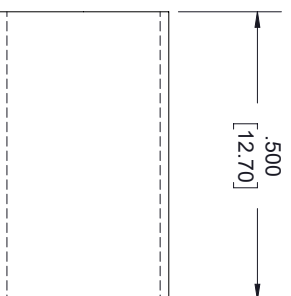
SMA MALE



CONTACT



STRIPPING DIMENSIONS



FERRULE

- NOTES:
- CABLE ATTACHMENT:
    - OUTER: CRIMP.
    - INNER: SOLDER.
  - CRIMP SIZE REQUIRED:
    - FERRULE: .255 [6.48] HEX. CRIMP TOOL.
    - CONTACT: SOLDER.

THESE COMMODITIES, TECHNOLOGY OR SOFTWARE WERE EXPORTED FROM THE UNITED STATES IN ACCORDANCE WITH THE EXPORT ADMINISTRATION REGULATIONS, DIVERSION CONTRARY TO U.S. LAW PROHIBITED.



TITLE

UNLESS OTHERWISE SPECIFIED LEADING DIMENSIONS ARE INCHES DIMENSIONS IN [ ] ARE MILLIMETERS				THIRD-ANGLE PROJECTION	
TOLERANCES:				THE INFORMATION AND DESIGN IN THIS DOCUMENT IS THE PROPERTY OF FAIRVIEW MICROWAVE CORPORATION. ALL RIGHTS RESERVED.	
CABLE LENGTH (L) TOLERANCES:		L ± 1/2 B065 = +1 [25] / -0		12 [305] < L ≤ 60 [1524] = +2 [51] / -0	
FRACTIONS		± 1/32		60 [1524] < L ≤ 120 [3048] = +4 [102] / -0	
ANGLES ± 1°		120 [3048] < L ≤ 300 [7620] = +6 [152] / -0		300 [7620] < L = +5% / -0	
ALL DIMENSIONS SHOWN ARE FOR REFERENCE ONLY.				SCALE	
SIZE	CAGE CODE	DRAWN BY	PART NUMBER	REV	REV
A	3FKRS	K.DANG	SCT7035	N/A	A