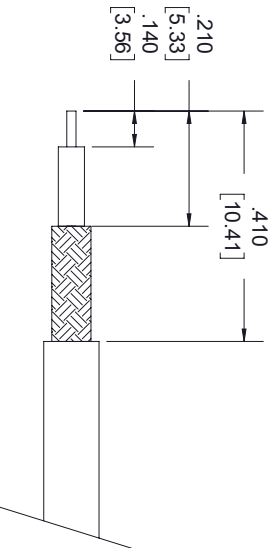
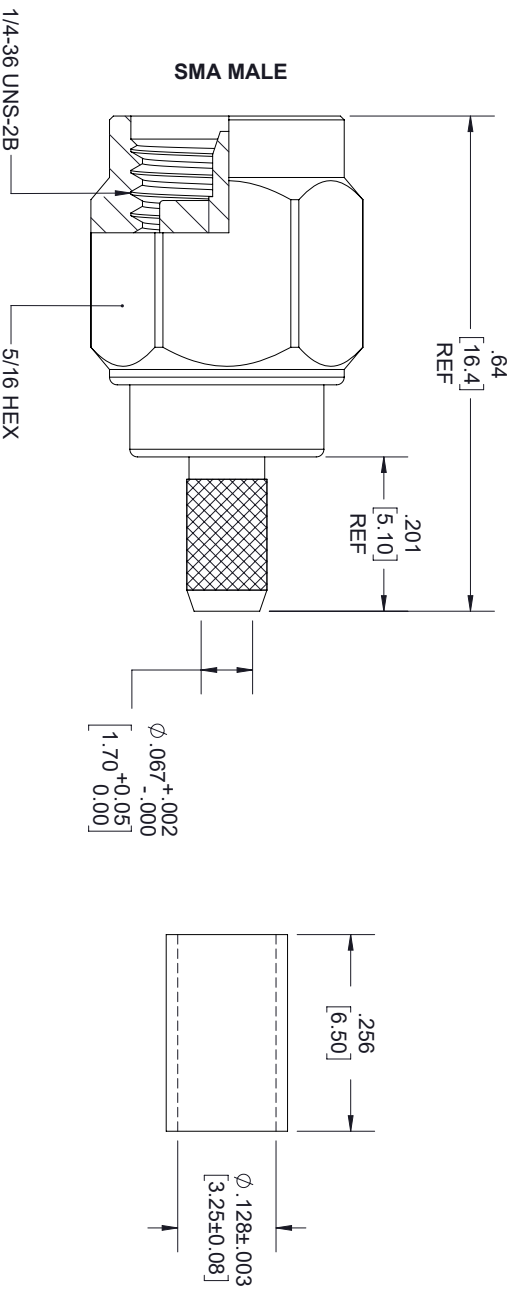
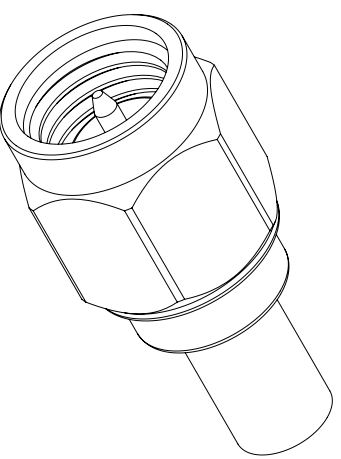


REVISIONS			
REV.	DESCRIPTION	DATE	APPROVED
A	PCR SC7062	7/23/2020	S. ELLIS



**STRIPPING DIMENSIONS**

- NOTES:
- CABLE ATTACHMENT:
    - OUTER: CRIMP.
    - INNER: SOLDER.
  - CRIMP SIZE REQUIRED:
    - FERRULE: .125 [3.18] HEX. CRIMP TOOL.
    - CONTACT: SOLDER.



THESE COMMODITIES, TECHNOLOGY OR SOFTWARE WERE EXPORTED FROM THE UNITED STATES IN ACCORDANCE WITH THE EXPORT ADMINISTRATION REGULATIONS, DIVERSION CONTRARY TO U.S. LAW PROHIBITED.



**Fairview Microwave™**  
an INFINITT@ brand

UNLESS OTHERWISE SPECIFIED LEADING DIMENSIONS ARE INCHES  
DIMENSIONS IN [ ] ARE MILLIMETERS

TOLERANCES:

X = ±.2 [5.08]  
XX = ±.02 [.51]  
XXX = ±.005 [.13]

FRACTIONS ±.1/32  
ANGLES ± 1°

CABLE LENGTH (L) TOLERANCES:

L ≤ 12 [305] = +.1 [25] / -0  
12 [305] < L ≤ 60 [1524] = +.2 [51] / -0  
60 [1524] < L ≤ 120 [3048] = +.4 [102] / -0  
120 [3048] < L ≤ 300 [7620] = +.6 [152] / -0  
300 [7620] < L = +5%L / -0



THIRD-ANGLE PROJECTION

THE INFORMATION AND DESIGN IN THIS DOCUMENT IS THE PROPERTY OF FAIRVIEW MICROWAVE CORPORATION. ALL RIGHTS RESERVED.

SHEET 1 OF 1

ALL DIMENSIONS SHOWN ARE FOR REFERENCE ONLY.					SCALE	N/A
SIZE	GAGE CODE	DRAWN BY	ITEM NO.	REV		
A	3FKRS	K.DANG	SC7062	A		