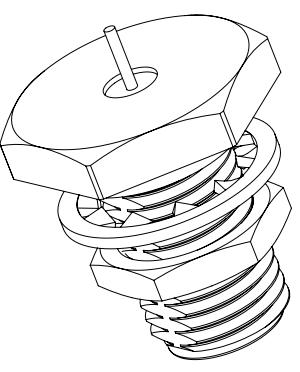
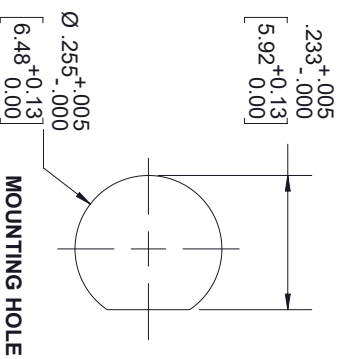
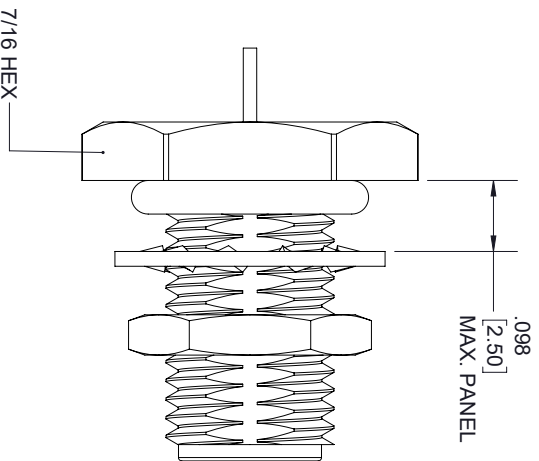
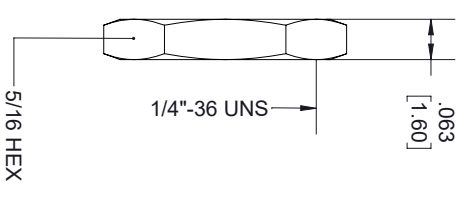
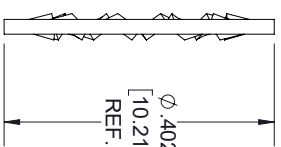
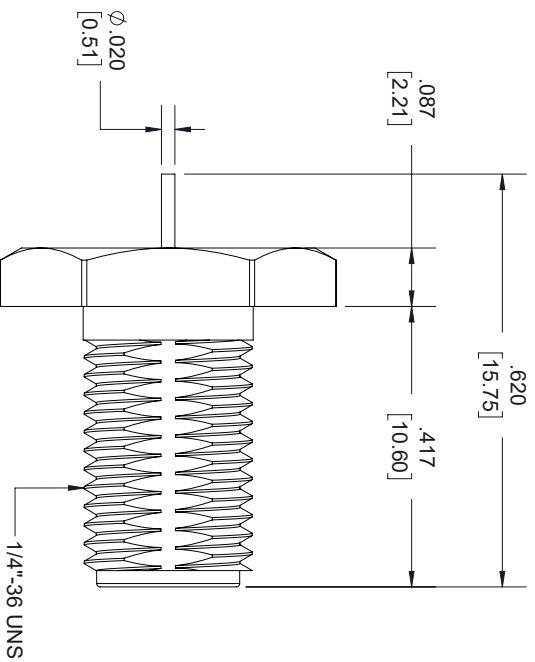


REVISIONS			
REV.	DESCRIPTION	DATE	APPROVED
A	PCR SC7106	8/28/2020	S. ELLIS



THESE COMMODITIES, TECHNOLOGY OR SOFTWARE WERE EXPORTED FROM THE UNITED STATES IN ACCORDANCE WITH THE EXPORT ADMINISTRATION REGULATIONS, DIVERSION CONTRARY TO U.S. LAW PROHIBITED.



TITLE

UNLESS OTHERWISE SPECIFIED LEADING DIMENSIONS ARE INCHES DIMENSIONS IN [] ARE MILLIMETERS			
TOLERANCES:		CABLE LENGTH (L) TOLERANCES:	
X = ±.2 [5.08]	FRACTIONS ± 1/32	L ≤ 12 [305]	± 1 [25] / -0
XX = ±.02 [.51]	± 1/32	12 [305] < L ≤ 60 [1524]	± 2 [51] / -0
XXX = ±.005 [.13]	ANGLES ± 1°	60 [1524] < L ≤ 120 [3048]	± 4 [102] / -0
		120 [3048] < L ≤ 300 [7620]	± 6 [152] / -0
		300 [7620] < L	± 5% / -0
SIZE	GAGE CODE	DRAWN BY	ITEM NO.
A	3FKR5	K. Dang	SC7106
ALL DIMENSIONS SHOWN ARE FOR REFERENCE ONLY.			SCALE
			N/A
THIRD-ANGLE PROJECTION		THE INFORMATION AND DESIGN IN THIS DOCUMENT IS THE PROPERTY OF FAIRVIEW MICROWAVE CORPORATION. ALL RIGHTS RESERVED.	
SHEET 1		OF 1	
REV		REV	
A		A	