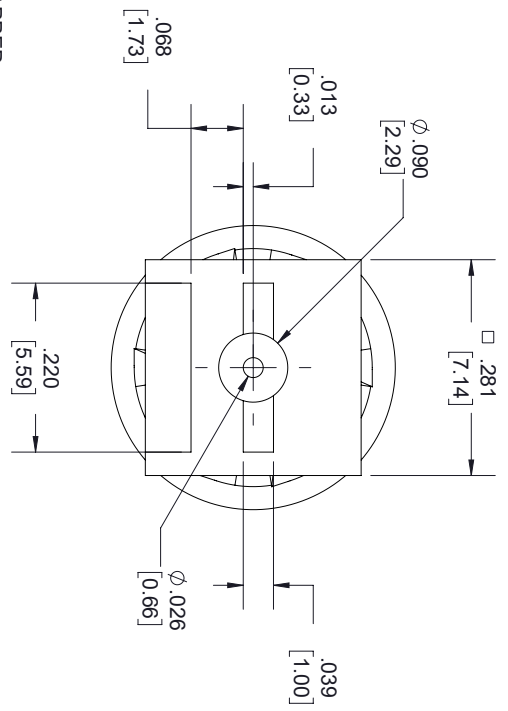


SMA FEMALE
BULKHEAD

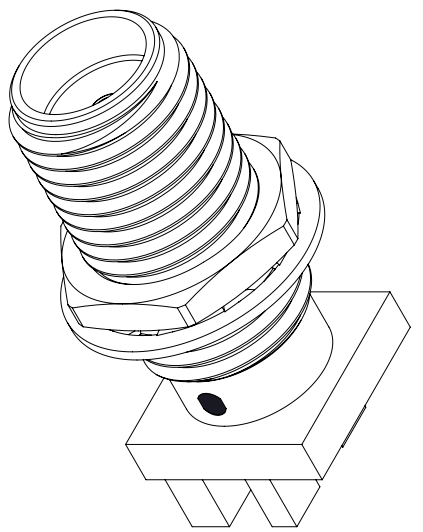
EPOXY CAPTIVATED, CAPPED
WITH SILVER EPOXY



STANDARD TOLERANCES

.X	±0.2
.XX	±0.01
.XXX	±0.005

*STANDARD TOLERANCES APPLY
ONLY TO DIMENSIONS IN INCHES



NOTES:
1. UNLESS OTHERWISE SPECIFIED ALL DIMENSIONS ARE NOMINAL.
2. ALL SPECIFICATIONS ARE SUBJECT TO CHANGE WITHOUT NOTICE AT ANY TIME.
3. DIMENSIONS ARE IN INCHES [mm].

TITLE	DWG NO		CAGE CODE					
	SC8442		3FKR5					
CAD FILE	10/18/19	SHEET	1 OF 1	SCALE	N/A	SIZE	A	7361