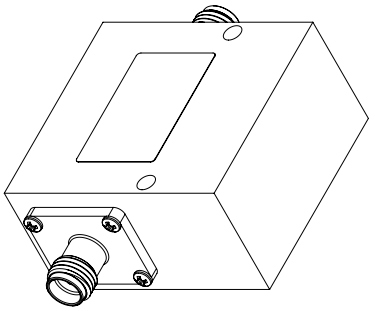
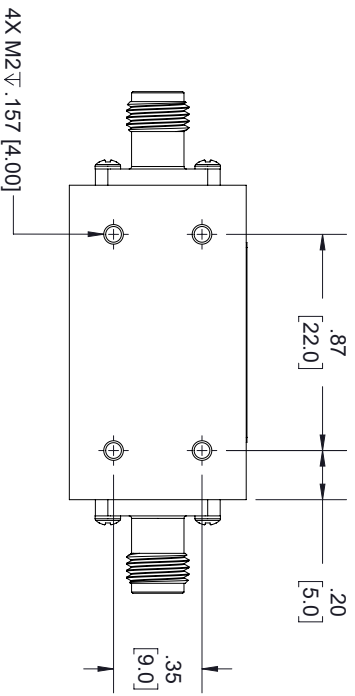
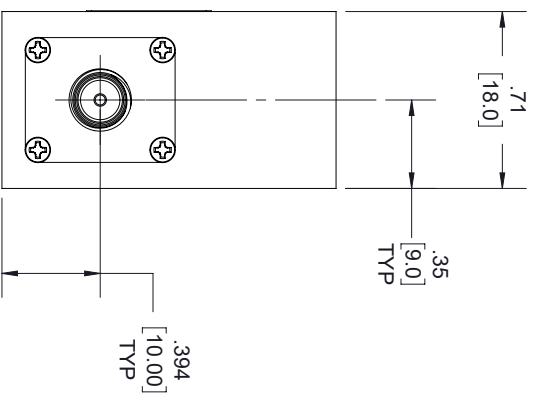
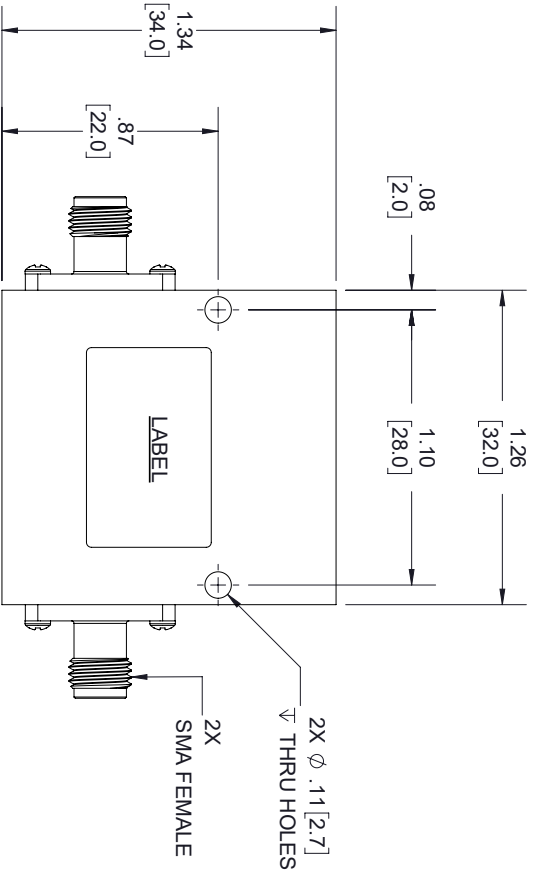


REVISIONS			
REV.	DESCRIPTION	DATE	APPROVED
A	PCR PER31R005 / SF12040	12/18/2019	S.PONG



LABEL

1	SF12040
2	2 - 4 GHz
	D/C: YVWW

THESE COMMODITIES, TECHNOLOGY OR SOFTWARE WERE EXPORTED FROM THE UNITED STATES IN ACCORDANCE WITH THE EXPORT ADMINISTRATION REGULATIONS, DIVERSION CONTRARY TO U.S. LAW PROHIBITED.



TITLE		SIZE		GAGE CODE		DRAWN BY		ITEM NO.		REV	
		A		3FKRS		K.DANG		SF12040		A	
ALL DIMENSIONS SHOWN ARE FOR REFERENCE ONLY.											
UNLESS OTHERWISE SPECIFIED LEADING DIMENSIONS ARE INCHES											
DIMENSIONS IN [] ARE MILLIMETERS											
TOLERANCES:											
CABLE LENGTH (L) TOLERANCES:											
L ± 1/2 B005 = +1 [25] / -0											
12 [305] < L ≤ 60 [1524] = +2 [51] / -0											
60 [1524] < L ≤ 120 [3048] = +4 [102] / -0											
120 [3048] < L ≤ 300 [7620] = +6 [152] / -0											
300 [7620] < L = +5%L / -0											
THIRD-ANGLE PROJECTION											
THE INFORMATION AND DESIGN IN THIS DOCUMENT IS THE PROPERTY OF FAIRVIEW MICROWAVE CORPORATION. ALL RIGHTS RESERVED.											
SHEET 1 OF 1											
SCALE N/A											