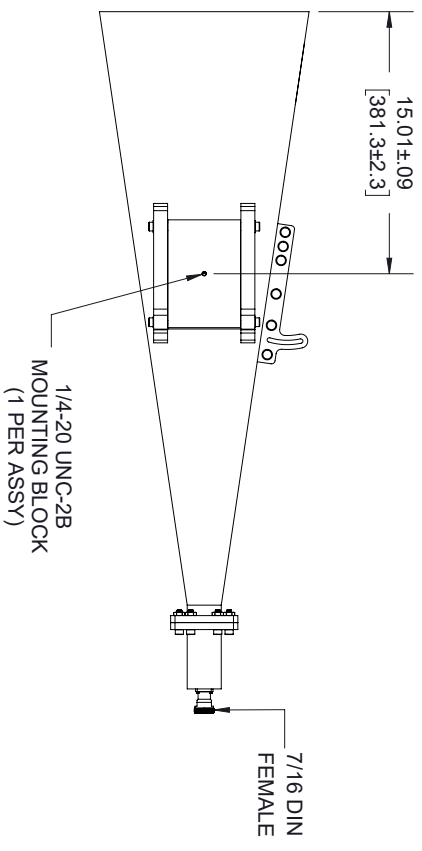
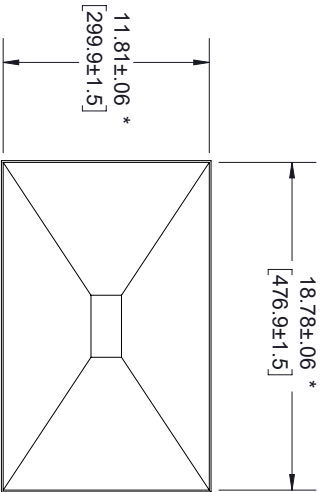
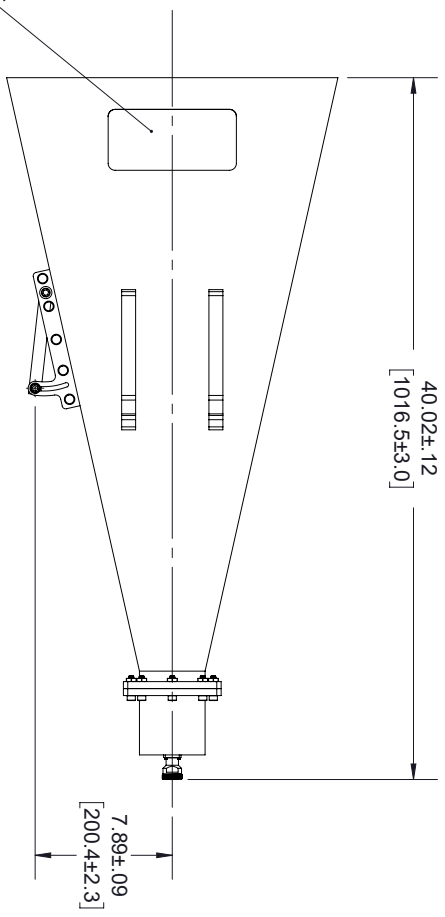


FM LABEL



LABEL

Fairview Microwave
RF COMPONENTS ON DEMAND *Done!*
www.FAIRVIEWMICROWAVE.com
SH0204D
F: 2.0 - 4.0 GHz
SN: XXXXXXXXXX

STANDARD TOLERANCES

- .X ±0.2
- .XX ±0.01
- .XXX ±0.005

*STANDARD TOLERANCES APPLY ONLY TO DIMENSIONS IN INCHES

* INSIDE DIMENSIONS



NOTES:
1. UNLESS OTHERWISE SPECIFIED ALL DIMENSIONS ARE NOMINAL.
2. ALL SPECIFICATIONS ARE SUBJECT TO CHANGE WITHOUT NOTICE AT ANY TIME.
3. DIMENSIONS ARE IN INCHES [mm].

TITLE		DWG NO		CAGE CODE	
		SH0204D		3FKR5	
CAD FILE	08/24/18	SHEET	1 OF 1	SCALE	N/A
				SIZE	A
					7361