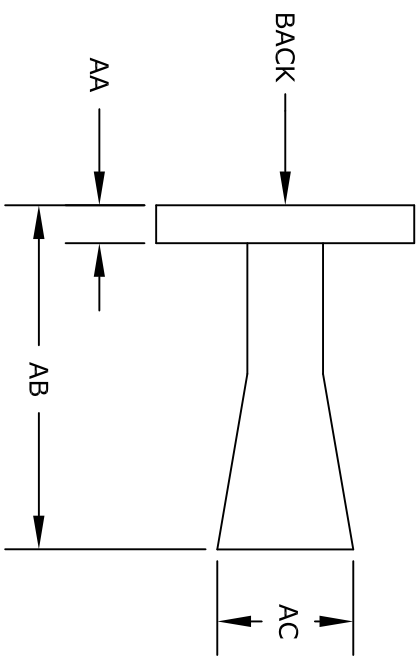
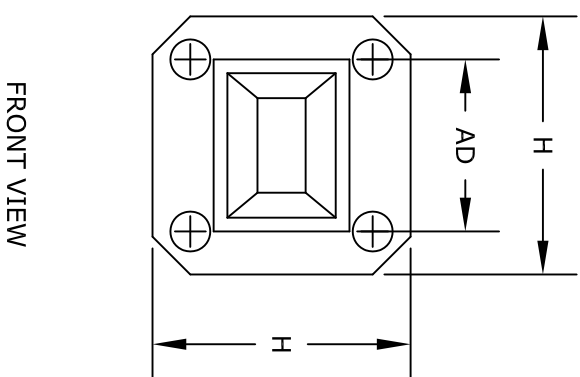
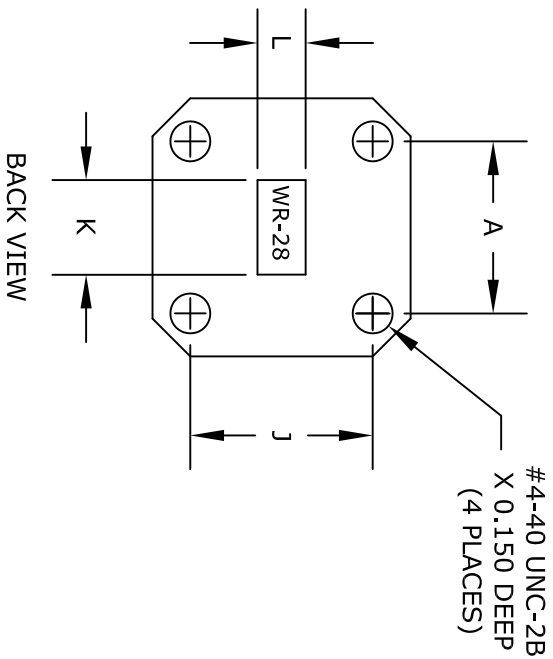


WR28	Inches	mm
Dimension		
A	0.500	12.70
H	0.750	19.05
J	0.530	13.46
K (± 0.010)	0.280	7.11
L (± 0.010)	0.140	3.56
AA	0.120	3.05
AB	1.000	25.40
AC	0.395	10.03
AD	0.500	12.70



STANDARD TOLERANCES	
.X	± 0.2
.XX	± 0.1
.XXX	± 0.05

*STANDARD TOLERANCES APPLY ONLY TO DIMENSIONS IN INCHES

FAIRVIEW MICROWAVE INC.
ALLEN, TX 75013 WWW.FAIRVIEWMICROWAVE.COM

NOTES:
1. UNLESS OTHERWISE SPECIFIED ALL DIMENSIONS ARE NOMINAL.
2. ALL SPECIFICATIONS ARE SUBJECT TO CHANGE WITHOUT NOTICE AT ANY TIME.
3. DIMENSIONS ARE IN INCHES [mm].

TITLE				
-------	--	--	--	--

DWG NO	SH128-10	CAGE CODE	3FKR5	
CAD FILE	120816	SHEET	SCALE N/A	SIZE A
				41742