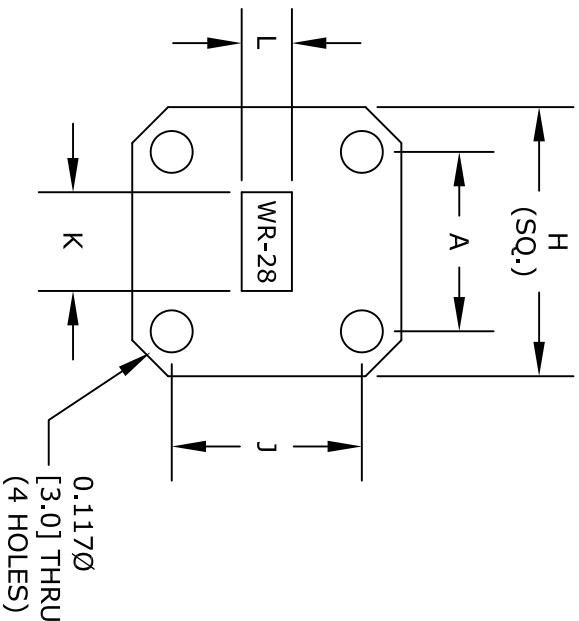
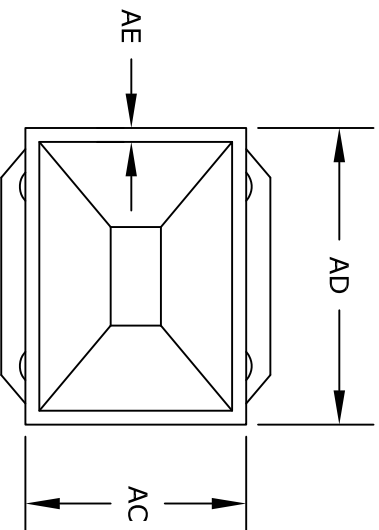


WR28 Dimension	Inches	mm
A	0.500	12.70
H (SQ.)	0.750	19.05
J	0.530	13.46
K (± 0.010)	0.280	7.11
L (± 0.010)	0.140	3.56
AA	0.116	2.95
AB	1.873	47.57
AC	0.615	15.62
AD	0.827	21.01
AE	0.039	0.99
AF	0.100	2.54
AG	0.300	7.62



BACK VIEW



FRONT VIEW

STANDARD TOLERANCES
 .X ±0.2
 .XX ±0.1
 .XXX ±0.05

*STANDARD TOLERANCES APPLY
 ONLY TO DIMENSIONS IN INCHES

FAIRVIEW MICROWAVE INC.
 ALLEN, TX 75013 WWW.FAIRVIEWMICROWAVE.COM

NOTES:
 1. UNLESS OTHERWISE SPECIFIED ALL DIMENSIONS ARE NOMINAL.
 2. ALL SPECIFICATIONS ARE SUBJECT TO CHANGE WITHOUT NOTICE AT ANY TIME.
 3. DIMENSIONS ARE IN INCHES [mm].

TITLE		DWG NO		CAGE CODE	
SH128-15		SH128-15		3FKR5	
CAD FILE	041417	SHEET		SCALE	N/A
				SIZE	A
					2233