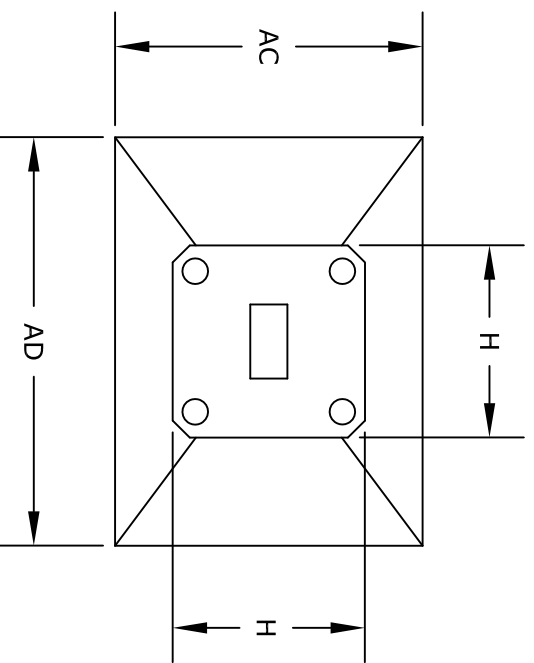
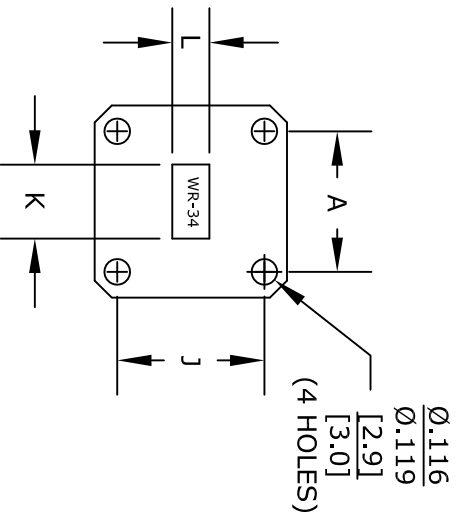
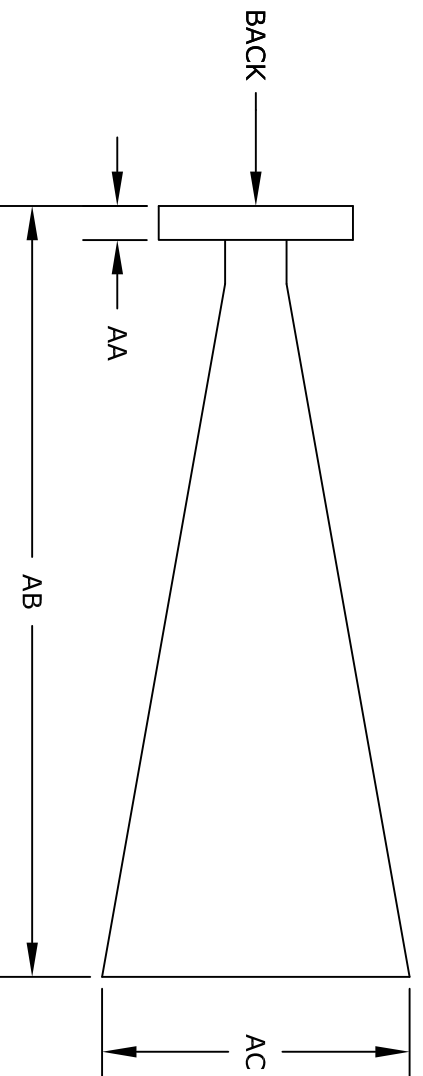


WR34	Dimension	Inches	mm
A		0.640	16.26
H		0.875	22.23
J		0.670	17.02
K	(±0.005)	0.340	8.64
L	(±0.005)	0.170	4.32
AA		0.155	3.94
AB		3.510	89.15
AC		1.400	35.56
AD		1.860	47.24



BACK VIEW



STANDARD TOLERANCES  
.X ±0.2  
.XX ±0.1  
.XXX ±0.05

\*STANDARD TOLERANCES APPLY  
ONLY TO DIMENSIONS IN INCHES

**FAIRVIEW MICROWAVE INC.**  
ALLEN, TX 75013 WWW.FAIRVIEWMICROWAVE.COM

NOTES:  
1. UNLESS OTHERWISE SPECIFIED ALL DIMENSIONS ARE NOMINAL.  
2. ALL SPECIFICATIONS ARE SUBJECT TO CHANGE WITHOUT NOTICE AT ANY TIME.  
3. DIMENSIONS ARE IN INCHES [mm].

TITLE		DWG NO		CAGE CODE	
SH134-20		SH134-20		3FKR5	
CAD FILE	120916	SHEET		SCALE	N/A
		SIZE	A		41742