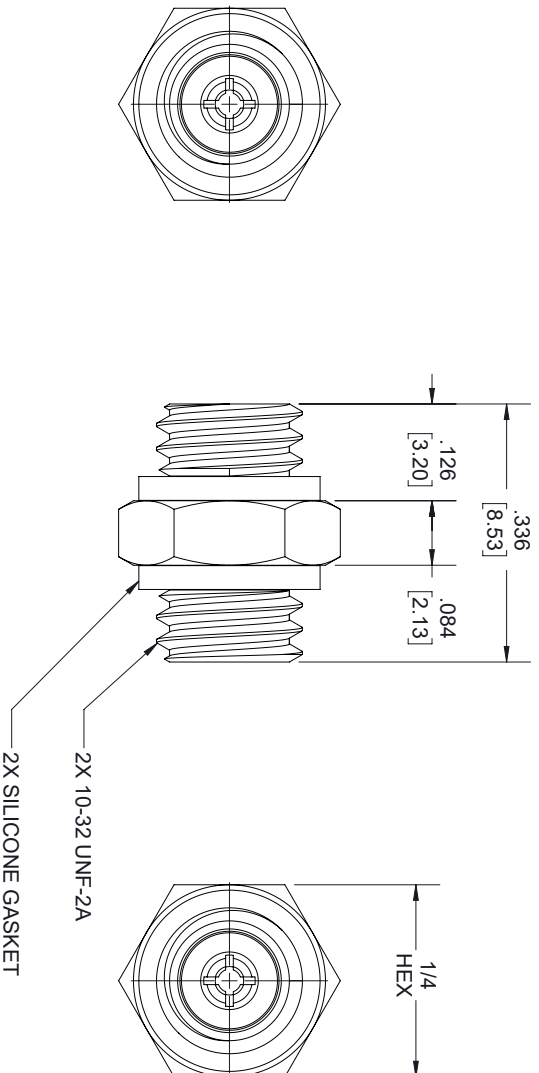


REVISIONS			
REV.	DESCRIPTION	DATE	APPROVED
B	PCR SM2389 20220816	08/23/2022	AGANWANI



THESE COMMODITIES, TECHNOLOGY OR SOFTWARE WERE EXPORTED FROM THE UNITED STATES IN ACCORDANCE WITH THE EXPORT ADMINISTRATION REGULATIONS, DIVERSION CONTRARY TO U.S. LAW PROHIBITED.



TITLE

UNLESS OTHERWISE SPECIFIED LEADING DIMENSIONS ARE INCHES DIMENSIONS IN [ ] ARE MILLIMETERS				THIRD ANGLE PROJECTION	
TOLERANCES:					
FRACTIONS		CABLE LENGTH (L) TOLERANCES:		THE INFORMATION AND DESIGN IN THIS DOCUMENT IS THE PROPERTY OF FAIRVIEW MICROWAVE CORPORATION. ALL RIGHTS RESERVED.	
X = ±.2 [5.08]	± 1/32	L ± 1/2 [50.8] = +1 [25] / -0	SCALE		
XX = ±.02 [51]	± 1/64	12 [305] < L ≤ 60 [1524] = +2 [51] / -0	N/A		
XXX = ±.005 [13]	ANGLES ± 1°	60 [1524] < L ≤ 120 [3048] = +4 [102] / -0	SHEET 1 OF 1		
120 [3048] < L ≤ 300 [7620] = +6 [152] / -0			REV B		
300 [7620] < L = +5% / -0			ITEM NO. SM2389		
ALL DIMENSIONS SHOWN ARE FOR REFERENCE ONLY.				REV	
SIZE A	GAGE CODE 3FKR5	DRAWN BY AKRESOWSK	REV		B