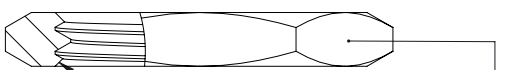


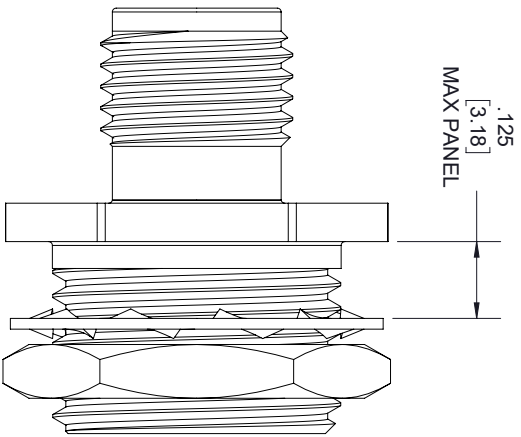
WASHER



HEX NUT

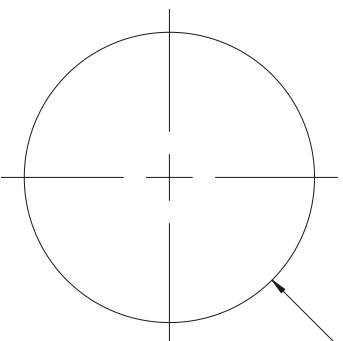
.437 [11.10] HEX

.375-32 UNEF-2A



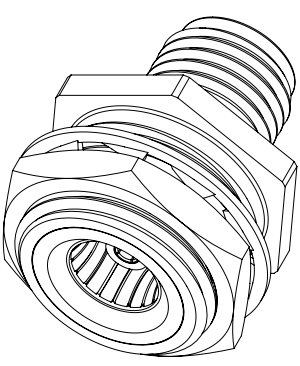
SMA FEMALE

BMA JACK BULKHEAD



MOUNTING HOLE

φ .378 +.005 / -0.000 [9.60 +0.13]



STANDARD TOLERANCES
 .X ±0.2
 .XX ±0.01
 .XXX ±0.005

*STANDARD TOLERANCES APPLY ONLY TO DIMENSIONS IN INCHES



NOTES:
 1. UNLESS OTHERWISE SPECIFIED ALL DIMENSIONS ARE NOMINAL.
 2. ALL SPECIFICATIONS ARE SUBJECT TO CHANGE WITHOUT NOTICE AT ANY TIME.
 3. DIMENSIONS ARE IN INCHES [mm].

TITLE	
-------	--

DWG NO	SM3296	CAGE CODE	3FKR5
CAD FILE	05/24/18	SHEET	1 OF 1
SCALE	N/A	SIZE	A
			7361