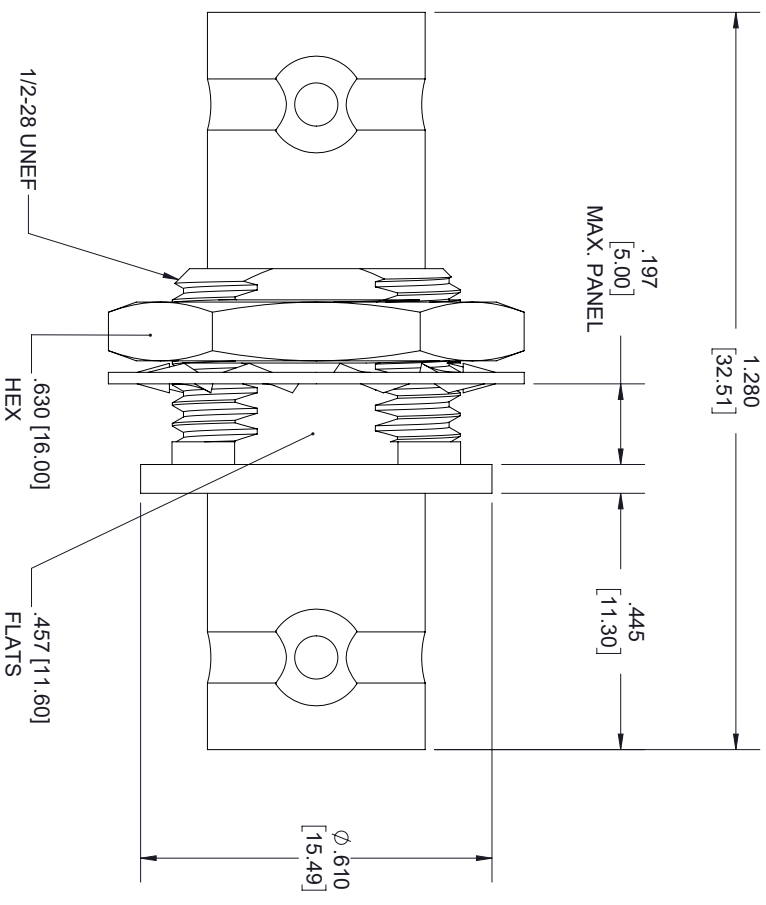
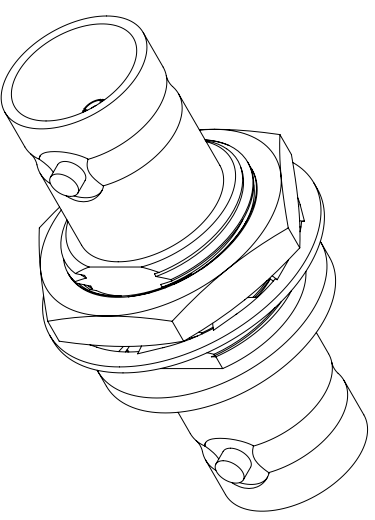


MOUNTING HOLE



75 Ohm  
BNC FEMALE

75 Ohm  
BNC FEMALE



STANDARD TOLERANCES  
 .X ±0.2  
 .XX ±0.01  
 .XXX ±0.005

\*STANDARD TOLERANCES APPLY  
 ONLY TO DIMENSIONS IN INCHES



NOTES:  
 1. UNLESS OTHERWISE SPECIFIED ALL DIMENSIONS ARE NOMINAL.  
 2. ALL SPECIFICATIONS ARE SUBJECT TO CHANGE WITHOUT NOTICE AT ANY TIME.  
 3. DIMENSIONS ARE IN INCHES [mm].

|          |          |        |        |           |      |
|----------|----------|--------|--------|-----------|------|
| TITLE    |          | DWG NO |        | CAGE CODE |      |
|          |          | SM3426 |        | 3FKR5     |      |
| CAD FILE | 08/08/18 | SHEET  | 1 OF 1 | SCALE     | N/A  |
|          |          | SIZE   | A      |           | 7361 |