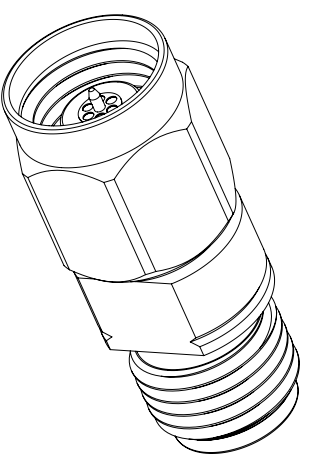


**1.85mm  
PLUG**

**2.4mm  
JACK**



**STANDARD TOLERANCES**  
 .X ±0.2  
 .XX ±0.01  
 .XXX ±0.005

\*STANDARD TOLERANCES APPLY  
 ONLY TO DIMENSIONS IN INCHES



ALLEN, TX 75013 WWW.FAIRVIEWMICROWAVE.COM

TITLE

NOTES:  
 1. UNLESS OTHERWISE SPECIFIED ALL DIMENSIONS ARE NOMINAL.  
 2. ALL SPECIFICATIONS ARE SUBJECT TO CHANGE WITHOUT NOTICE AT ANY TIME.  
 3. DIMENSIONS ARE IN INCHES [mm].

DWG NO		CAGE CODE	
SM3943		3FKR5	
CAD FILE	030618	SHEET	1 OF 1
SCALE	N/A	SIZE	A
			7361