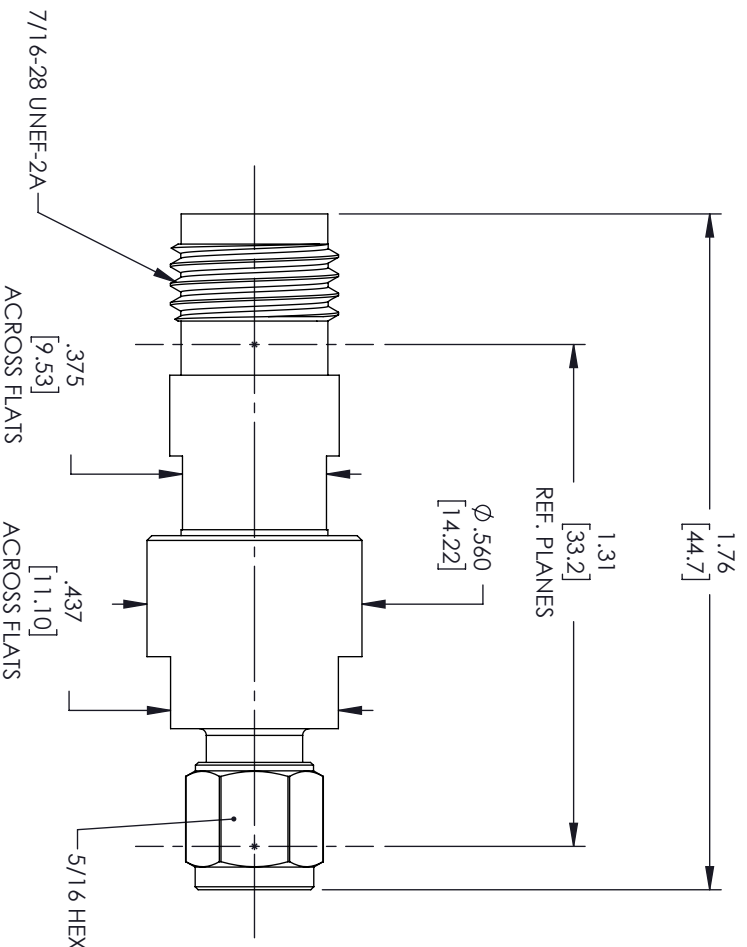


REVISIONS			
REV.	DESCRIPTION	DATE	APPROVED
B	PCR SM4738 20220802	08/15/2022	AGANWANI



TNC FEMALE

SMA MALE

THESE COMMODITIES, TECHNOLOGY OR SOFTWARE WERE EXPORTED FROM THE UNITED STATES IN ACCORDANCE WITH THE EXPORT ADMINISTRATION REGULATIONS, DIVERSION CONTRARY TO U.S. LAW PROHIBITED.



TITLE

UNLESS OTHERWISE SPECIFIED LEADING DIMENSIONS ARE INCHES				THIRD ANGLE PROJECTION	
DIMENSIONS IN [ ] ARE MILLIMETERS					
TOLERANCES:				THE INFORMATION AND DESIGN IN THIS DOCUMENT IS THE PROPERTY OF FAIRVIEW MICROWAVE CORPORATION. ALL RIGHTS RESERVED.	
CABLE LENGTH (L) TOLERANCES:		L ± 1/2 (806) = +1/2 (51) / -0		SHEET 1 OF 1	
FRACTIONS		12 (305) < L ≤ 60 (1524) = +2 (51) / -0		SCALE N/A	
± 1/32		60 (1524) < L ≤ 120 (3048) = +4 (102) / -0		REV B	
ANGLES ± 1°		120 (3048) < L ≤ 300 (7620) = +6 (152) / -0		DRAWN BY KGLEBOVA	
X = ± 2 [5.08]		300 (7620) < L = +5%L / -0		ITEM NO. SM4737	
XX = ± 0.2 [5.1]				GAGE CODE 3FKRS	
XXX = ± 0.005 [0.13]				SIZE A	
ALL DIMENSIONS SHOWN ARE FOR REFERENCE ONLY.					