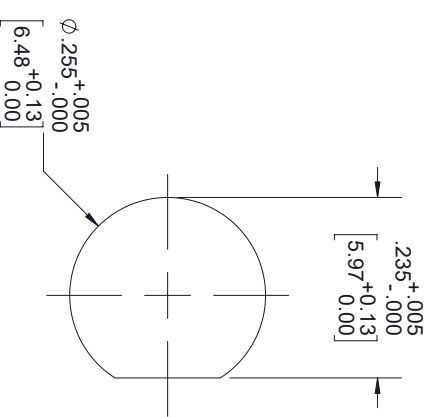
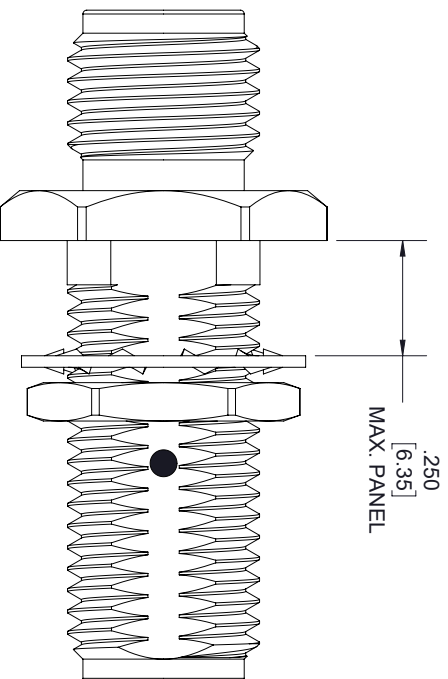


WASHER



1/4-36  
UNS-2A

.313 [7.95]  
HEX



MOUNTING HOLE

STANDARD TOLERANCES  
 .X ±0.2  
 .XX ±0.01  
 .XXX ±0.005

\*STANDARD TOLERANCES APPLY ONLY TO DIMENSIONS IN INCHES



NOTES:  
 1. UNLESS OTHERWISE SPECIFIED ALL DIMENSIONS ARE NOMINAL.  
 2. ALL SPECIFICATIONS ARE SUBJECT TO CHANGE WITHOUT NOTICE AT ANY TIME.  
 3. DIMENSIONS ARE IN INCHES [mm].

TITLE	
DWG NO	
CAGE CODE	

CAD FILE	04/24/18	SHEET	1 OF 1	SCALE	N/A	SIZE	A
SM4955A		3FKR5					
7361							