

6

5

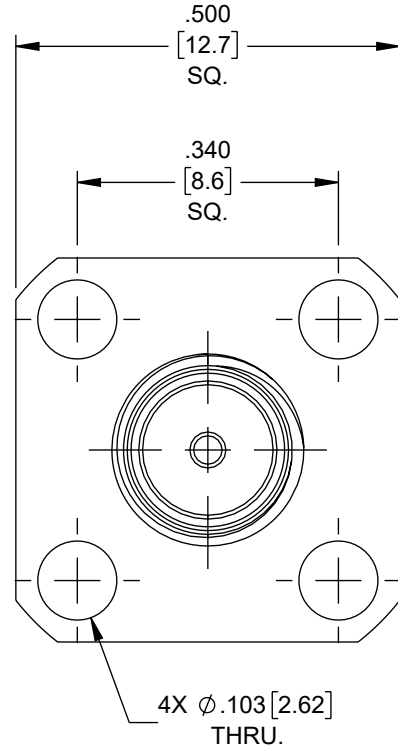
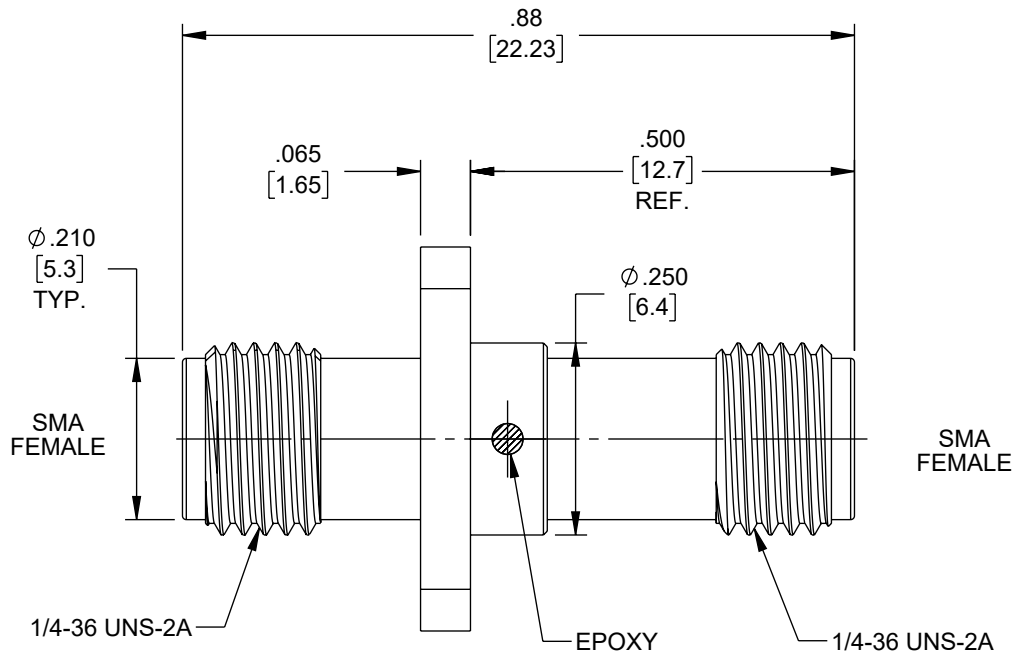
4

3

2

1

| REVISION |     |                          |            |            |          |
|----------|-----|--------------------------|------------|------------|----------|
| ZONE     | REV | DESCRIPTION              | DATE       | CHANGED BY | APPROVED |
|          | B   | UPDATED AS PER ECO-12902 | 08/15/2017 | PSRINIVAS  | SRAUTUS  |



REGULATORY COMPLIANCE:  
EU RoHS DIRECTIVE (MOST RECENT RELEASED VERSION)

THE INFORMATION CONTAINED IN THIS DRAWING IS THE SOLE PROPERTY OF INFINITE ELECTRONICS, INC. ANY REPRODUCTION IN PART OR WHOLE WITHOUT THE WRITTEN PERMISSION OF INFINITE ELECTRONICS, INC. IS PROHIBITED. THESE COMMODITIES, TECHNOLOGY OR SOFTWARE WERE EXPORTED FROM THE UNITED STATES IN ACCORDANCE WITH THE EXPORT ADMINISTRATION REGULATIONS. DIVERSION CONTRARY TO U.S. LAW PROHIBITED.

UNLESS OTHERWISE SPECIFIED  
LEADING DIMENSIONS ARE INCHES  
DIMENSIONS IN [ ] ARE MILLIMETERS

TOLERANCES:

|                     |             |
|---------------------|-------------|
| X = ±.2 [5]         | FRACTIONS   |
| XX = ±.02 [0.5]     | ± 1/32      |
| .XXX = ±.005 [0.13] | ANGLES ± 1° |

CABLE LENGTH TOLERANCES:

|                          |                 |
|--------------------------|-----------------|
| ≤12 [305]                | = +1 [25] / -0  |
| >12 [305] ≤ 60 [1524]    | = +2 [51] / -0  |
| >60 [1524] ≤ 120 [3048]  | = +4 [102] / -0 |
| >120 [3048] ≤ 300 [7620] | = +6 [152] / -0 |
| >300 [7620]              | = +5% / -0      |

ALL DIMENSIONS ARE FOR REFERENCE ONLY  
AND SUBJECT TO CHANGE WITHOUT NOTICE  
UN-DIMENSIONED/NON-CRITICAL FEATURES  
MAY VARY IN SIZE AND LOCATION  
COLORS MAY VARY



Website: [www.FairviewMicrowave.com](http://www.FairviewMicrowave.com)  
Phone: 1.800.715.4396 | 1.972.649.6678

|  |        |
|--|--------|
|  |        |
| INTERPRET ALL DIMENSIONS AND TOLERANCES PER ASME Y14.5 |        |
| SCALE  | SHEET  |
| NONE   | 1 OF 1 |

DESCRIPTION  
**SMA FEMALE TO SMA FEMALE 4 HOLE FLANGE MOUNT ADAPTER**

|      |           |           |          |     |
|------|-----------|-----------|----------|-----|
| SIZE | CAGE CODE | DRAWN BY  | ITEM NO. | REV |
| A    | 3FKR5     | PSRINIVAS | SM4959   | B   |

6

5

4

3

2

1