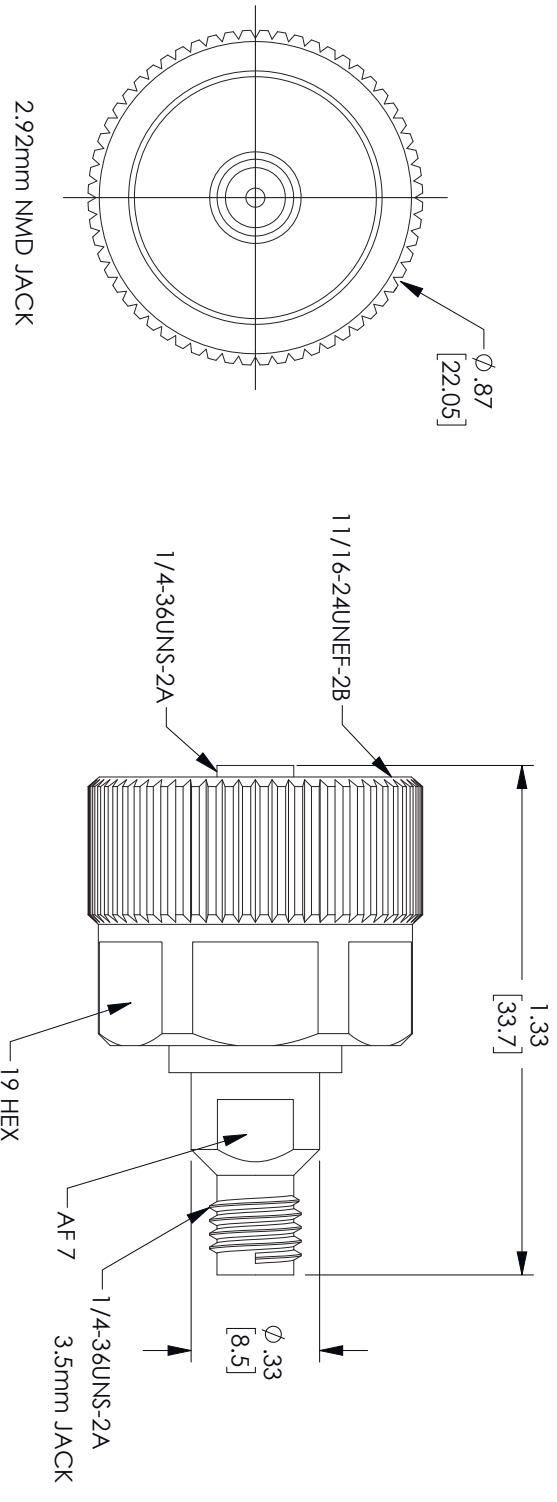
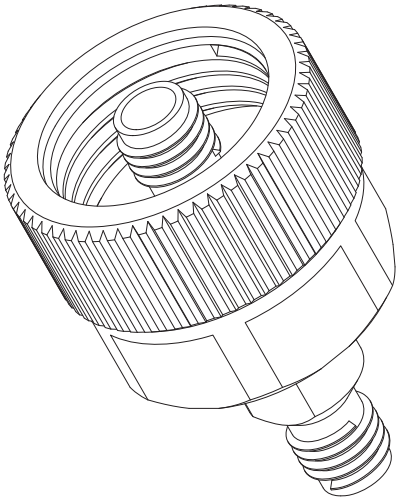


REVISIONS			
REV.	DESCRIPTION	DATE	APPROVED
A	INITIAL RELEASE	8/17/2021	BWOODS



THESE COMMODITIES, TECHNOLOGY OR SOFTWARE WERE EXPORTED FROM THE UNITED STATES IN ACCORDANCE WITH THE EXPORT ADMINISTRATION REGULATIONS, DIVERSION CONTRARY TO U.S. LAW PROHIBITED.



TITLE

UNLESS OTHERWISE SPECIFIED LEADING DIMENSIONS ARE INCHES DIMENSIONS IN [ ] ARE MILLIMETERS		THIRD-ANGLE PROJECTION	
TOLERANCES:		THE INFORMATION AND DESIGN IN THIS DOCUMENT IS THE PROPERTY OF FAIRVIEW MICROWAVE CORPORATION. ALL RIGHTS RESERVED.	
X = ±.2 [ .008]	FRACTIONS ± 1/32	L ± 12 [806] = +1 [25] / -0	1
XX = ±.02 [ .51]	ANGLES ± 1°	12 [130] < L ≤ 60 [1524] = +2 [51] / -0	OF
XXX = ±.005 [ .13]		60 [1524] < L ≤ 120 [3048] = +4 [102] / -0	1
		120 [3048] < L ≤ 300 [7620] = +6 [152] / -0	1
		300 [7620] < L = +5%L / -0	1
SIZE	GAGE CODE	DRAWN BY	ITEM NO.
A	3FKRS	DMAY	SM9979
ALL DIMENSIONS SHOWN ARE FOR REFERENCE ONLY.			SCALE
			N/A
		REV	A