

6

5

4

3

2

1

F

E

D

C

B

A

F

E

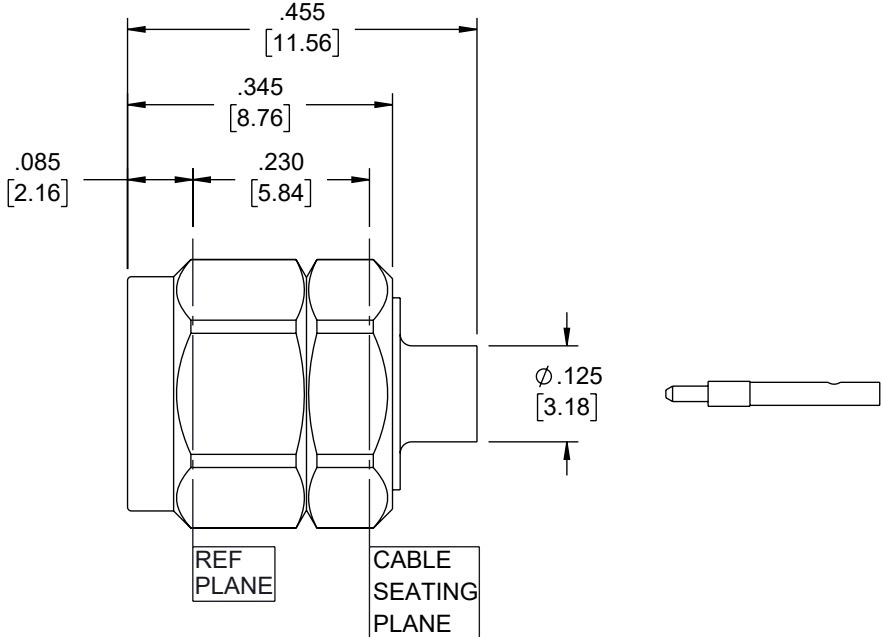
D

C

B

A

REVISION					
ZONE	REV	DESCRIPTION	DATE	CHANGED BY	APPROVED
	D	UPDATED PER ECO-13338	06/28/2024	HBAKKE	SRAUTUS



NOTES:

- MATERIAL:  
 COUPLING NUT: STAINLESS STEEL  
 GASKET: SILICONE RUBBER  
 BEAD: NORYL  
 BODY, CONTACT, LOCK RING: BERYLLIUM COPPER
- FINISH:  
 COUPLING NUT: PASSIVATED  
 BODY, CONTACT: GOLD OVER NICKEL PLATE, 50µIN MIN  
 GOLD OVER 50µIN MIN NICKEL

THE INFORMATION CONTAINED IN THIS DRAWING IS THE SOLE PROPERTY OF INFINITE ELECTRONICS, INC. ANY REPRODUCTION IN PART OR WHOLE WITHOUT THE WRITTEN PERMISSION OF INFINITE ELECTRONICS, INC. IS PROHIBITED. THESE COMMODITIES, TECHNOLOGY OR SOFTWARE WERE EXPORTED FROM THE UNITED STATES IN ACCORDANCE WITH THE EXPORT ADMINISTRATION REGULATIONS. DIVERSION CONTRARY TO U.S. LAW PROHIBITED.

UNLESS OTHERWISE SPECIFIED LEADING DIMENSIONS ARE INCHES DIMENSIONS IN [ ] ARE MILLIMETERS	
TOLERANCES:	
X = ±.2 [5]	FRACTIONS ± 1/32
XX = ±.02 [0.5]	ANGLES ± 1°
.XXX = ±.005 [0.13]	
CABLE LENGTH TOLERANCES:	
≤12 [305]	= +1 [25] / -0
>12 [305] ≤ 60 [1524]	= +2 [51] / -0
>60 [1524] ≤ 120 [3048]	= +4 [102] / -0
>120 [3048] ≤ 300 [7620]	= +6 [152] / -0
>300 [7620]	= +5% / -0
ALL DIMENSIONS ARE FOR REFERENCE ONLY AND SUBJECT TO CHANGE WITHOUT NOTICE UN-DIMENSIONED/NON-CRITICAL FEATURES MAY VARY IN SIZE AND LOCATION COLORS MAY VARY	

<p>an INFINIT® brand</p> <p>Website: <a href="http://www.FairviewMicrowave.com">www.FairviewMicrowave.com</a>          Phone: 1.800.715.4396   1.972.649.6678</p>	<p>INTERPRET ALL DIMENSIONS AND TOLERANCES PER ASME Y14.5</p>	
	SCALE NONE	SHEET 1 OF 2
DESCRIPTION <b>2.4mm MALE (PLUG) CONNECTOR FOR RG405 CABLE, SOLDER, PASSIVATED STAINLESS STEEL BODY, LENGTH 0.345 IN</b>		
SIZE A	CAGE CODE 3FKR5	DRAWN BY HBAKKE
ITEM NO. SMC024-0871		REV D

6

5

4

3

2

1