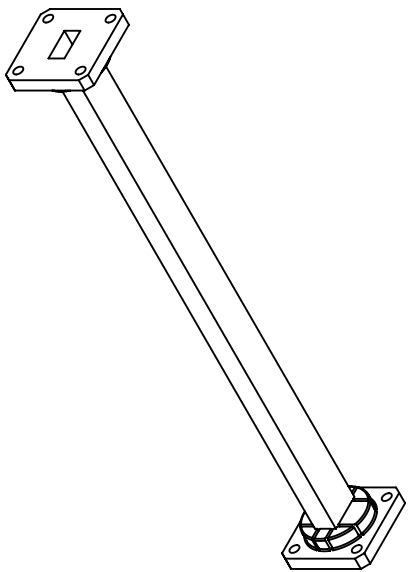
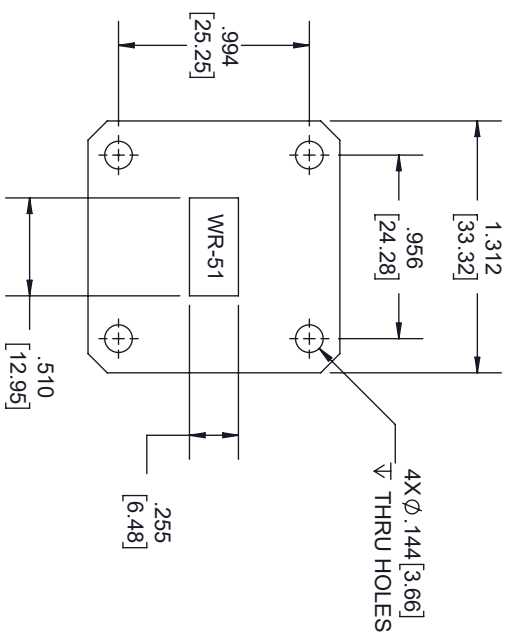
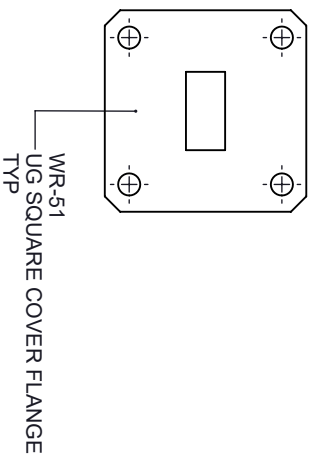
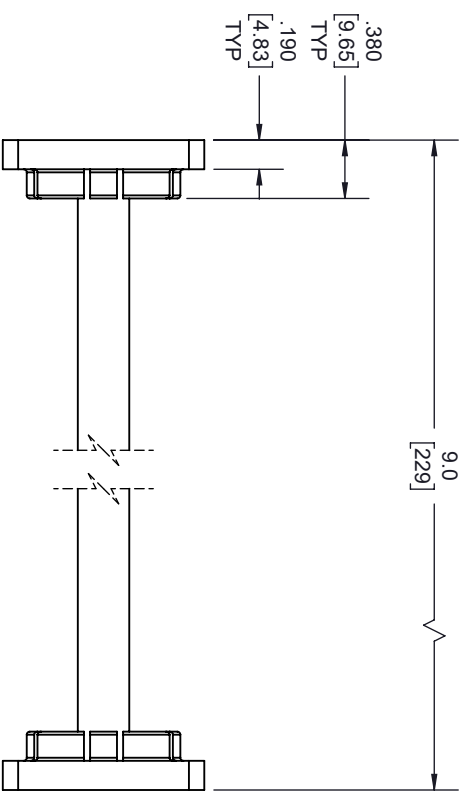


REVISIONS			
REV.	DESCRIPTION	DATE	APPROVED
B	PE-W/51S001-9 20220912	09/14/2022	S. PONG



**FLANGE DETAIL**

THESE COMMODITIES, TECHNOLOGY OR SOFTWARE WERE EXPORTED FROM THE UNITED STATES IN ACCORDANCE WITH THE EXPORT ADMINISTRATION REGULATIONS, DIVERSION CONTRARY TO U.S. LAW PROHIBITED.



TITLE

UNLESS OTHERWISE SPECIFIED LEADING DIMENSIONS ARE INCHES DIMENSIONS IN [ ] ARE MILLIMETERS				THIRD-ANGLE PROJECTION	
TOLERANCES:				THE INFORMATION AND DESIGN IN THIS DOCUMENT IS THE PROPERTY OF FAIRVIEW MICROWAVE CORPORATION. ALL RIGHTS RESERVED.	
CABLE LENGTH (L) TOLERANCES:		L ≤ 12 [305] = +1 [25] / -0		SHEET 1 OF 1	
L 12 [305] < L ≤ 60 [1524] = +2 [51] / -0		60 [1524] < L ≤ 120 [3048] = +4 [102] / -0		SCALE N/A	
120 [3048] < L ≤ 300 [7620] = +6 [152] / -0		300 [7620] < L = +5%L / -0		REV B	
SIZE A	DRAWN BY K. DANG	ITEM NO. SMF-51S001-09	SCALE N/A	REV B	
GAGE CODE 3FKRS					